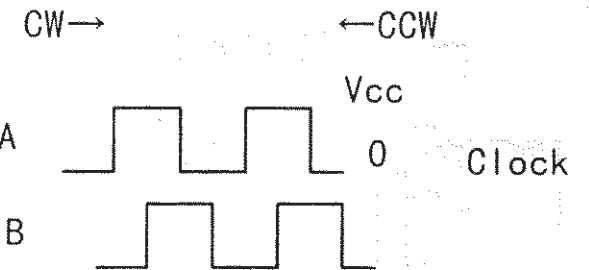
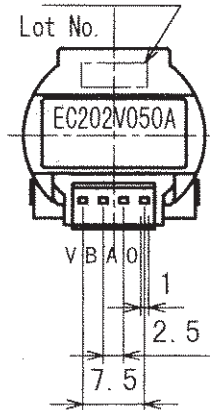
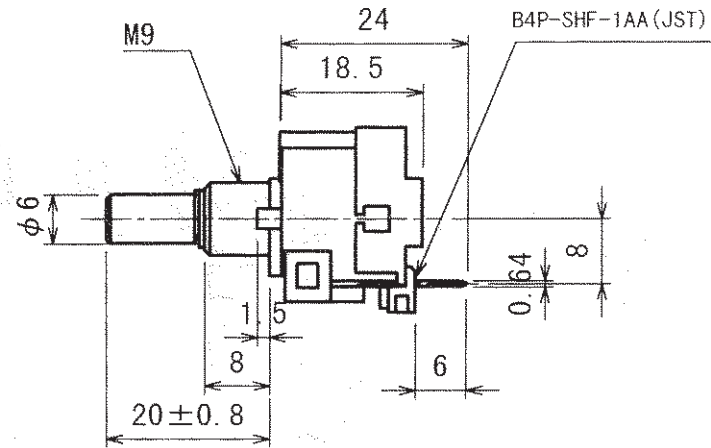
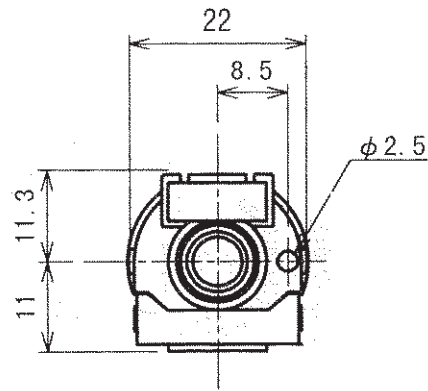
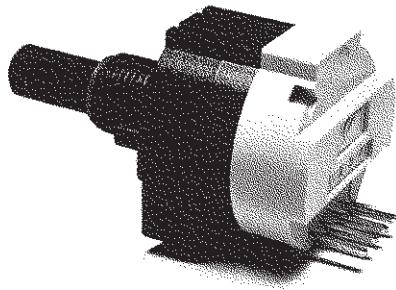


REV.	DESCRIPTION	DATE
A	NEW DRAWING	05/14/2010



Output wave

Specifications

Supply Voltage	DC5V ± 5%	Resolution	50P/R
Supply Current	30mA Max.	Frequency Response	500Hz
Output	Incremental	Rotational Life	2,500,000
Phase Difference	90 ± 45°	Operational Torque	50gfcmMax.
Output Wave	Rectangle Wave	Click	Without Click
Operating Temperature Range	0 ~ +60°C	Weight (Approx.)	28g
Storage Temperature Range	-20 ~ +80°C		



20050 SW 112th Ave.
Tualatin, OR 97062
Phone: 503-612-2300
800-275-4899
Fax: 503-612-2383
Website: www.cui.com

TITLE: optical encoder	REV: A
PART NO. EC202V050A	UNITS: MM
DRAWN BY: JRH	APPROVED BY: SCALE:

