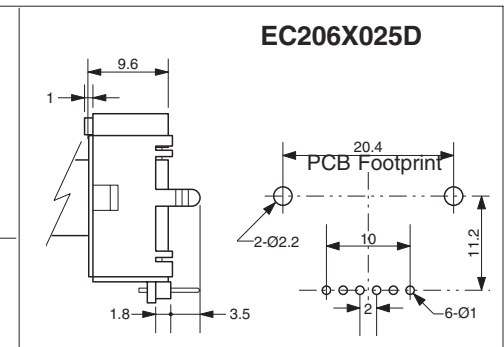
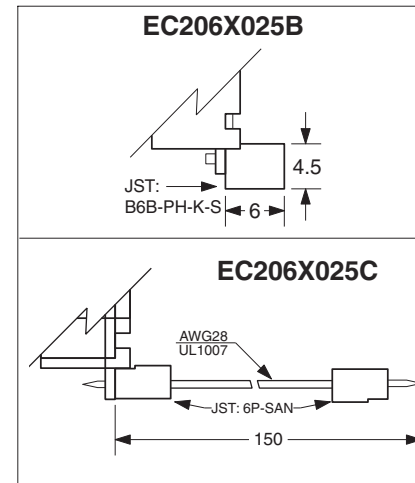
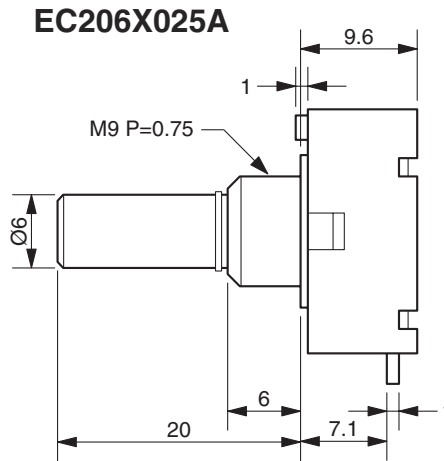
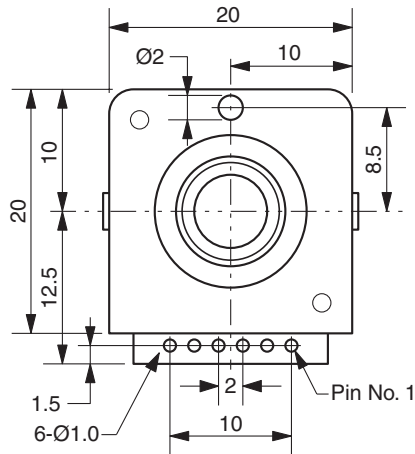


REV.	DESCRIPTION	DATE
A	NEW DRAWING	6/17/2008



## SPECIFICATIONS

### ELECTRICAL

1. Input Voltage: 5.0 VDC  $\pm$ 5%
2. Resolution: 25PPR
3. Current Consumption: 20mA max.
4. Output Voltage: High: VCC-0.5Vmin  
Low: 0.7Vmax
5. Max. Freq. Response: 100Hz

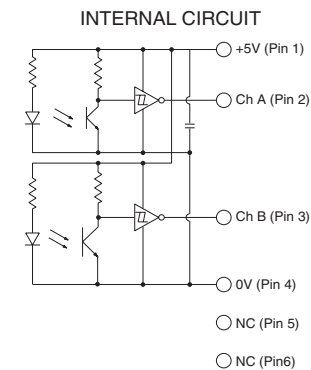
### MECHANICAL

1. Max Shaft Load, radial: 1.0 kgf  
axial: 1.0 kgf
2. Rotational Angle: 360° continuous
3. Detent Torque: 40 $\pm$ 20 gf cm max.
4. Maximum Speed: 240RPM
5. Rotational Life: 1,000,000 cycles

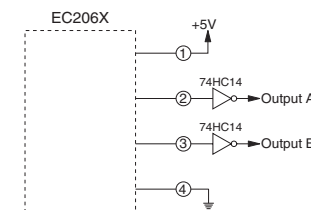
### ENVIRONMENTAL

1. Operating Temp: 0° to +60° C
2. Storage Temp: -20° to +80° C
3. Humidity: 85% RH, no condensation
4. Vibration: 10 - 55 Hz, 1.5 mm, 2 hrs
5. Shock: 50G, 6ms, 3 axes, 3 reps

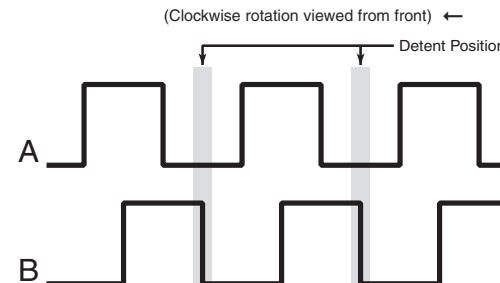
## OUTPUT CIRCUIT



### EXTERNAL CIRCUIT



## OUTPUT WAVEFORM



## ORDERING INSTRUCTIONS

### EC206X025X

**Detent:**  
A = Without detent  
B = With detent

**Termination options:**  
A = Solder holes  
B = Connector  
C = Cable  
D = PC board mount



20050 SW 112th Ave.  
Tualatin, OR 97062  
Phone: 503-612-2300  
800-275-4899  
Fax: 503-612-2383  
Website: www.cui.com

TITLE: optical encoder	REV: A
PART NO. EC206X025X	UNITS: MM
DRAWN BY: JRH	APPROVED BY: SCALE:

