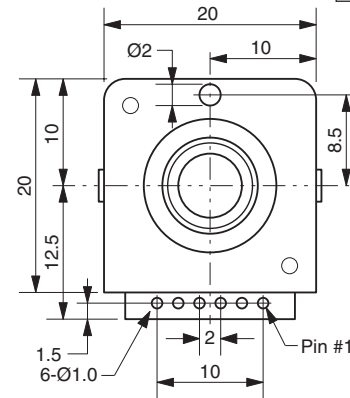
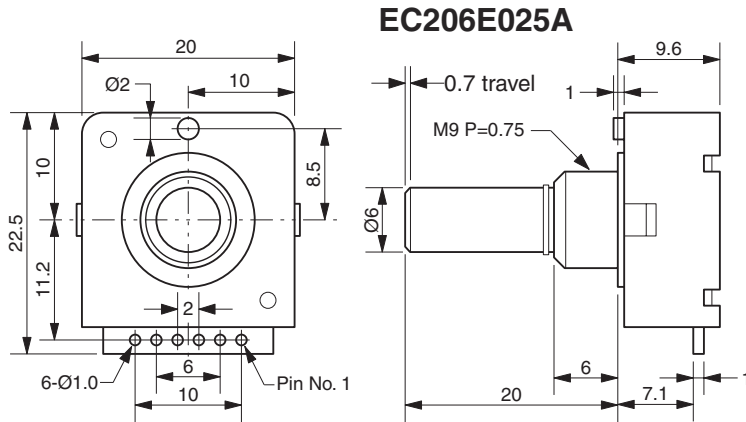
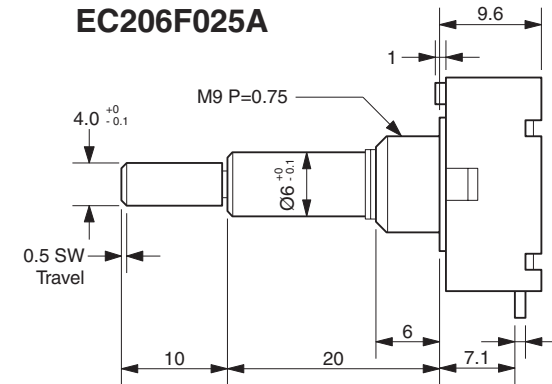


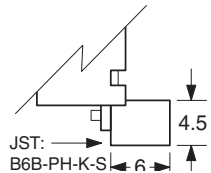
REV.	DESCRIPTION	DATE
A	NEW DRAWING	11/05/2008



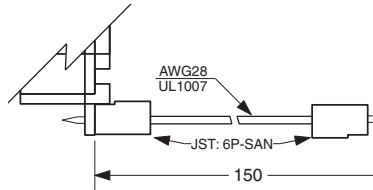
EC206F025A



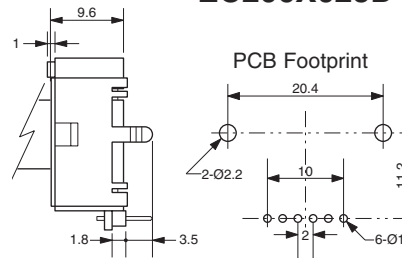
EC206X025B



EC206X025C

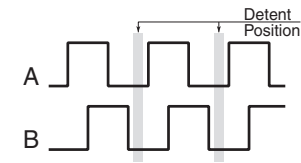


EC206X025D



LOGIC PATTERN

(Clockwise rotation viewed from front) ←



SPECIFICATIONS

ELECTRICAL

1. Input Voltage: 5.0 VDC $\pm 5\%$
2. Resolution: 25PPR
3. Current Consumption: 20mA max.
4. Output Voltage: High: VCC-0.5Vmin
Low: 0.7Vmax
5. Max. Freq. Response: 100Hz

MECHANICAL

1. Max Shaft Load, radial: 1.0 kgf
axial: 1.0 kgf
2. Rotational Angle: 360° continuous
3. Detent Torque: 40 \pm 20 gf cm max.
4. Maximum Speed: 240 RPM
5. Rotational Life: 1,000,000 cycles

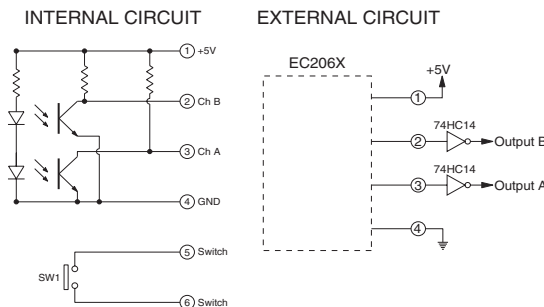
ENVIRONMENTAL

1. Operating Temp: 0° to +60° C
2. Storage Temp: -20° to +80° C
3. Humidity: 85% RH, no condensation
4. Vibration: 10 - 55 Hz, 1.5 mm, 2 hrs
5. Shock: 50G, 6ms, 3 axes, 3 reps

PUSH SWITCH

1. Rating: 12VDC, 50mA
2. Contact Resistance: 200M Ω max.
3. Insulation Resistance: 100M Ω min.
4. Voltage Withstand: 250VAC, 1 min.
5. Operating Force: 306~612gf
6. Travel: 0.7mm \pm 0.3mm
7. Bounce: 10ms
8. Life: 1,000,000 cycles

OUTPUT CIRCUIT



ORDERING INSTRUCTIONS

EC206X025XX

Shaft style:

- E = Single shaft
- F = Dual concentric shaft

Jumper:

- 1 = With JMP1
- 2 = Without JMP1

Termination options:

- A = Solder holes
- B = Connector
- C = Cable
- D = PC board mount



20050 SW 112th Ave.
Tualatin, OR 97062
Phone: 503-612-2300
800-275-4899
Fax: 503-612-2383
Website: www.cui.com

TITLE: panel mount optical encoder		REV: A
PART NO. EC206X025XX	UNITS: MM	
DRAWN BY: JRH	APPROVED BY:	SCALE:

