



PART NUMBER: EC251AB

DESCRIPTION: rotary encoder

ELECTRICAL SPECIFICATIONS

output waveform	Square wave
output signals	A, B phase
current consumption	20 mA max.
output voltage	“H” “L”
	Vcc ~ 0.5 V min. 0.7 V max.
output current	-0.1 mA max.
supply voltage	5 V dc ± 5%
output resolution (ppr)	25
frequency response	100 Hz

MECHANICAL SPECIFICATIONS

max shaft load, radial:	1 kgf
axial:	1 kgf
starting torque	0.4 ±0.2 N·cm max. (41 ±20 gf·cm max.)
rotational angle	360° continuous
maximum speed	120 RPM
rotational life	1,000,000 cycles
weight	20 g

ENVIRONMENTAL SPECIFICATIONS

operating temp	0° to +60° C
storage temp	-20° to +80° C
humidity	85% RH, no condensation
vibration	10 ~ 55 Hz. 1.5 mm, 2 hours
shock	50 G, 6 ms, 3 axes, 3 reps

ORDERING INSTRUCTIONS

EC251X050X

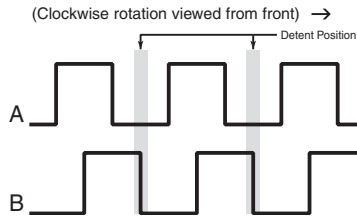
Detent:
A = Without detent
B = With detent

Termination options:
A = Solder holes
B = Connector
C = Cable
D = PC board mount

PART NUMBER: EC251AB

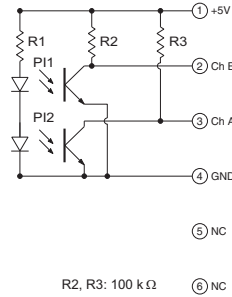
DESCRIPTION: rotary encoder

OUTPUT WAVEFORM

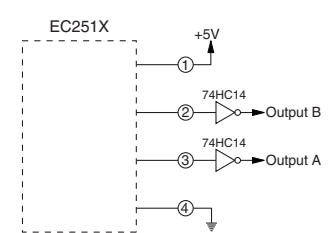


OUTPUT CIRCUIT

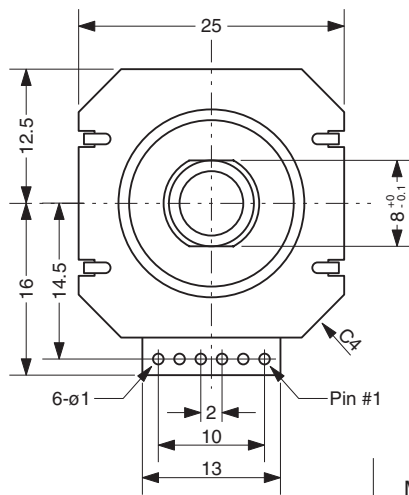
INTERNAL CIRCUIT



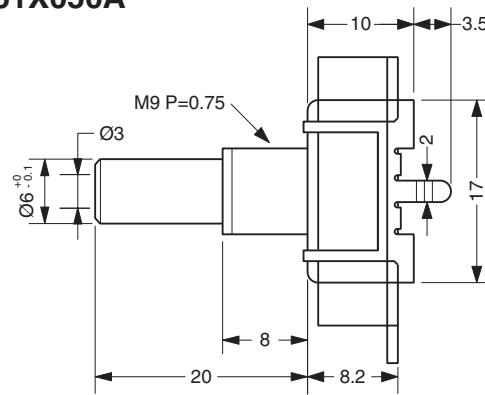
EXTERNAL CIRCUIT



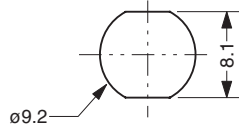
MECHANICAL DRAWING



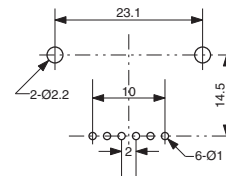
EC251X050A



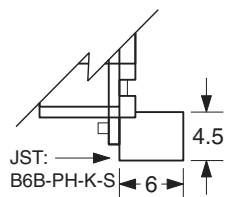
Mounting Hole Dimensions



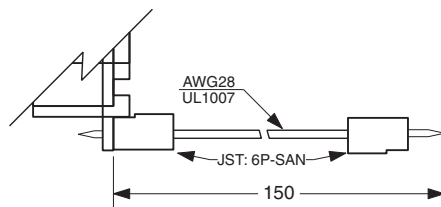
PCB Footprint



EC251X050B



EC251X050C



EC251X050D

