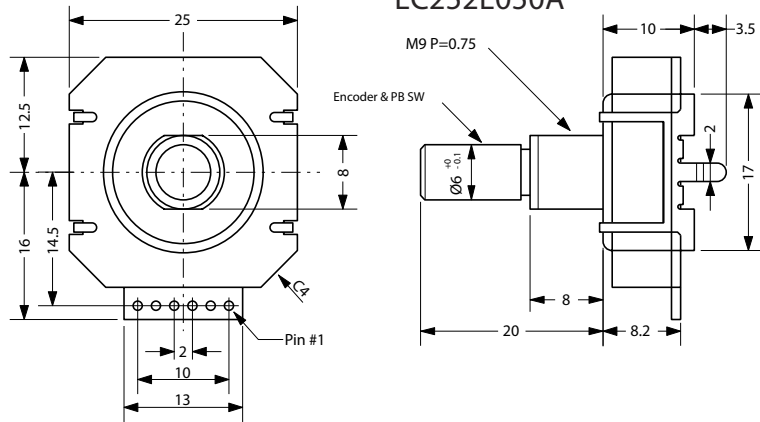
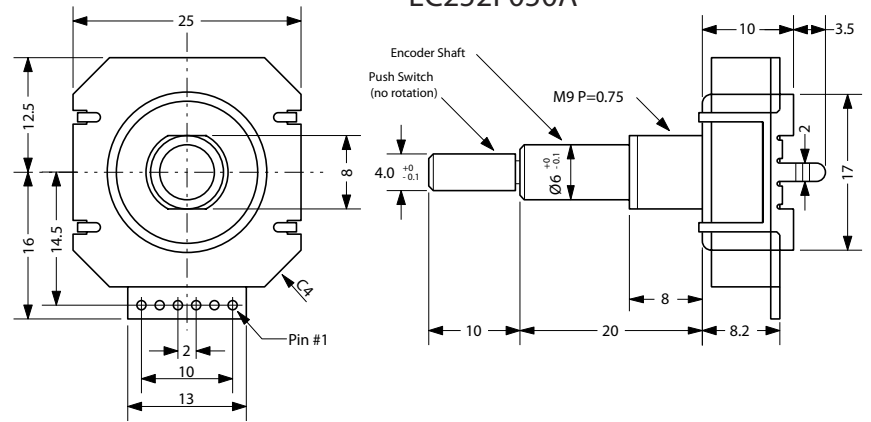


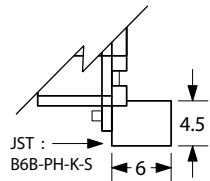
### EC252E050A



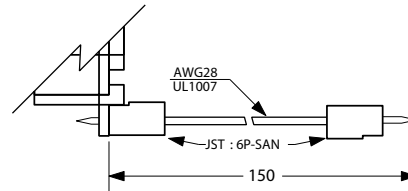
### EC252F050A



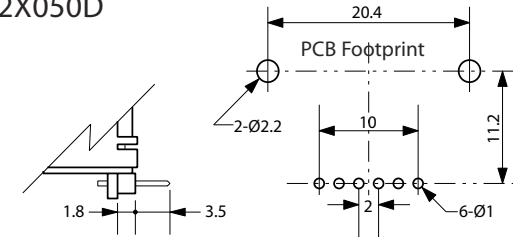
### EC252X050B



### EC252X050C



### EC252X050D



## SPECIFICATIONS

### ELECTRICAL

1. Input Voltage: 3.3 VDC  $\pm 10\%$
2. Resolution: 50PPR
3. Current Consumption: 20mA max.
4. Output Voltage: High: VCC-0.5Vmin  
Low: 0.7Vmax
5. Max. Freq. Response: 100Hz

### MECHANICAL

1. Max Shaft Load, radial: 1.0 kgf  
axial: 1.0 kgf
2. Rotational Angle: 360° continuous
3. Detent Torque: 40 $\pm$ 20 gf cm max.
4. Maximum Speed: 120 RPM
5. Rotational Life: 1,000,000 cycles

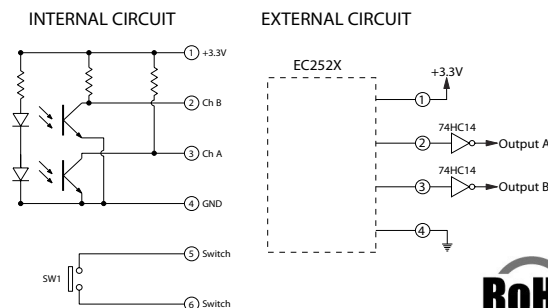
### ENVIRONMENTAL

1. Operating Temp: 0° to +60° C
2. Storage Temp: -20° to +80° C
3. Humidity: 85% RH, no condensation
4. Vibration: 10 - 55 Hz, 1.5 mm, 2 hrs
5. Shock: 50G, 6ms, 3 axes, 3 reps

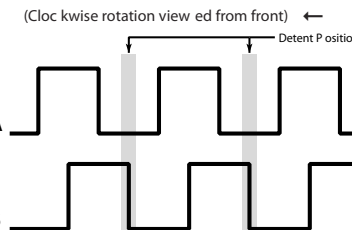
### PUSH SWITCH

1. Rating: 12VDC, 50mA
2. Contact Resistance: 200m  $\Omega$  max.
3. Insulation Resistance: 100M  $\Omega$  min.
4. Voltage Withstand: 250V AC, 1 min.
5. Operating Force: 306~612gf
6. Travel: 0.7mm  $\pm 0.3$ mm
7. Bounce: 10ms
8. Life: 1,000,000 cycles

### OUTPUT CIRCUIT



### LOGIC PATTERN



### ORDERING INSTRUCTIONS

#### EC252X050XX

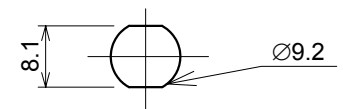
Shaft style:  
E = Single shaft  
F = Dual concentric shaft

Termination options:  
A = Solder holes  
B = Connector  
C = Cable  
D = PC board mount

Jumper:  
1 = With JMP1  
2 = Without JMP1

### CUT-OUT DIMENSIONS

Mounting Panel Thickness:  
1.6~2.0mm



CUI INC

CUI Inc.  
20050 SW 112th Ave.  
Tualatin, OR 97062  
Tel: 503/612-2300 FAX: 503/612-2383

DRAWN BY KDW	UPDATED 08/31/07	CHECKED 08/31/07	UNIT MM
PART NO. <b>EC252X050XX</b>			REV. <b>B</b>

