

**SERIES:** EMC-30 | **DESCRIPTION:** AC POWER LINE FILTER

**FEATURES**

- 30 dB AC-line noise filtering (150 kHz ~ 1 GHz)
- ensures surge compliance to IEC/EN61000-4-5 standard  
±4 kV (2Ω) / ±6 kV (12Ω)
- reduces emissions to help comply with CISPR22 / EN 55022 Class B
- accepts up to 1.5 A (rms) of nominal input current
- wide input voltage range (85~305 Vac)
- wide operating temperature range (-40 to +85 °C)
- options for board-mount, chassis-mount, or DIN-Rail mounting

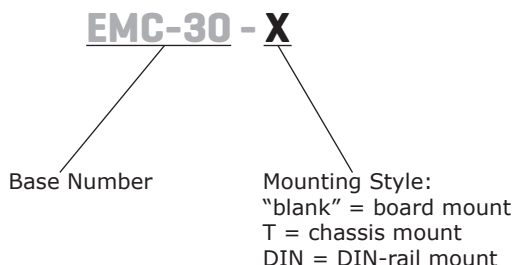


**SPECIFICATIONS**

parameter	conditions/description	min	typ	max	units
input voltage		85		305	Vac
input current				1.5	A
noise attenuation	at 150 kHz ~ 1 GHz		30		dB
isolation voltage	L/PE, N/PE at 1 minute and leakage current 5 mA max		2,000		Vac
RoHS	yes				
operating temperature		-40		85	°C
storage temperature		-55		125	°C
storage humidity	non-condensing			95	%
case temperature rise	at 220 Vac, 0.5 A			5	°C
	at 220 Vac, 1.0 A			20	°C
	at 220 Vac, 1.5 A			30	°C

Notes: 1. All specifications are measured at Ta=25°C, humidity < 75%, nominal unless otherwise specified.

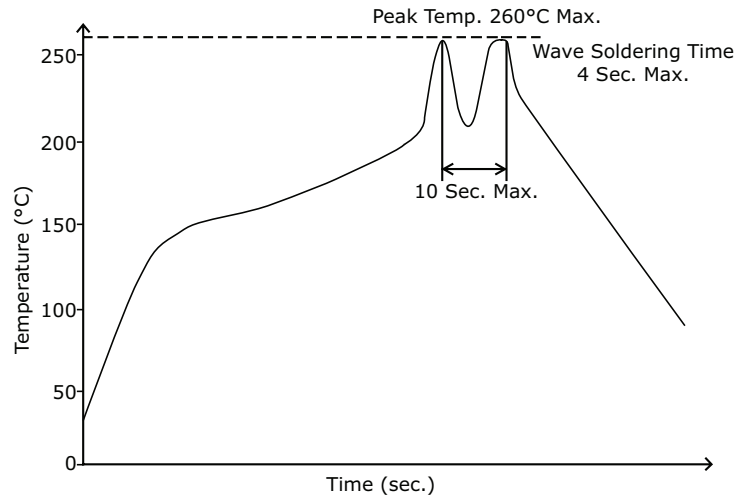
**PART NUMBER KEY**



## SOLDERABILITY<sup>2</sup>

parameter	conditions/description	min	typ	max	units
hand soldering	for 3~5 seconds	350	360	370	°C
wave soldering	see wave soldering profile			260	°C

Note: 2. For board mount models only.



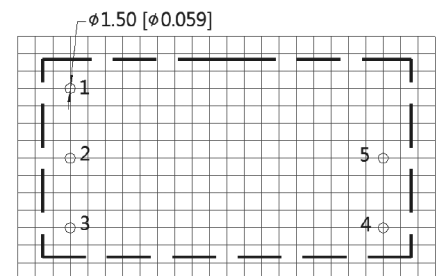
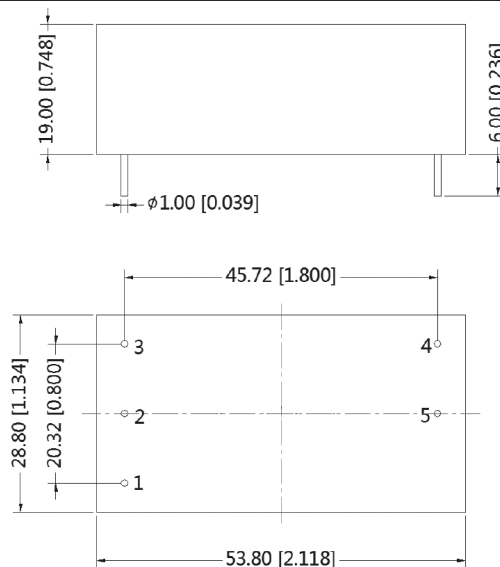
## MECHANICAL

parameter	conditions/description	min	typ	max	units
dimensions	board mount: 53.80 x 28.80 x 19.00 [2.118 x 1.134 x 0.748 inch] chassis mount: 76.00 x 31.50 x 27.80 [2.992 x 1.240 x 1.094 inch] DIN-Rail mount: 76.00 x 31.50 x 32.40 [2.992 x 1.240 x 1.276 inch]				mm
case material	black flame-retardant heat-proof epoxy resin (UL94V-0)				
weight	board mount chassis mount DIN-rail mount		50 70 90		g

## MECHANICAL DRAWING (BOARD MOUNT)

units: mm [inch]  
tolerance: ±0.50[±0.020]  
pin diameter tolerance: ±0.10[±0.004]

PIN CONNECTIONS	
PIN	Function
1	GND
2	IN(N)
3	IN(L)
4	OUT(L)
5	OUT(N)



Note : Grid 2.54\*2.54mm

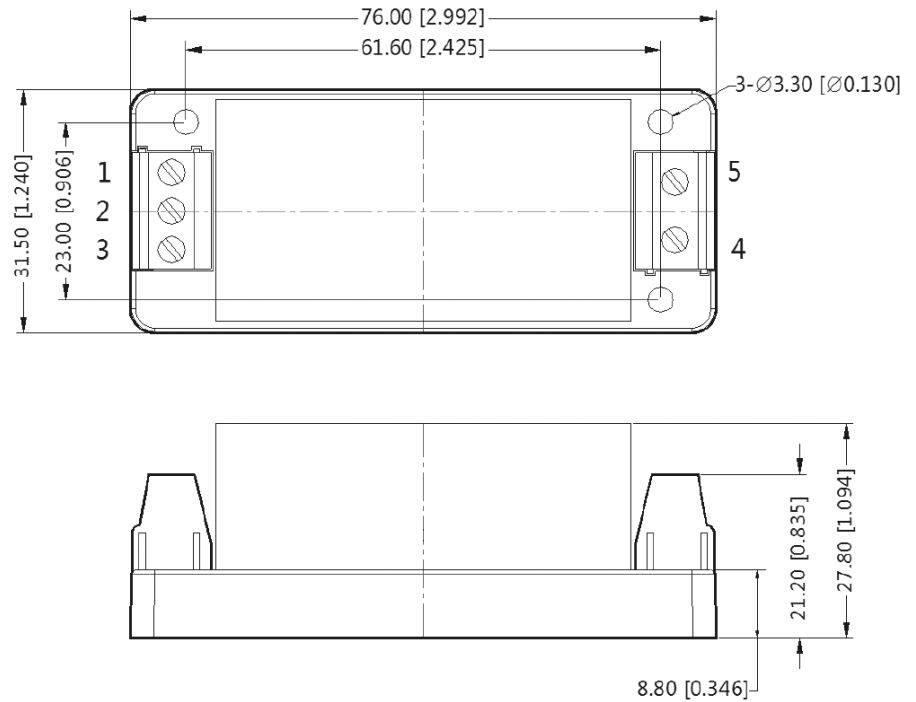
Recommended PCB Layout  
Top View

## MECHANICAL DRAWING (CHASSIS MOUNT)

units: mm [inch]  
tolerance:  $\pm 0.50[\pm 0.020]$

wire range: 24~12 AWG

PIN CONNECTIONS	
PIN	Function
1	GND
2	IN(N)
3	IN(L)
4	OUT(L)
5	OUT(N)

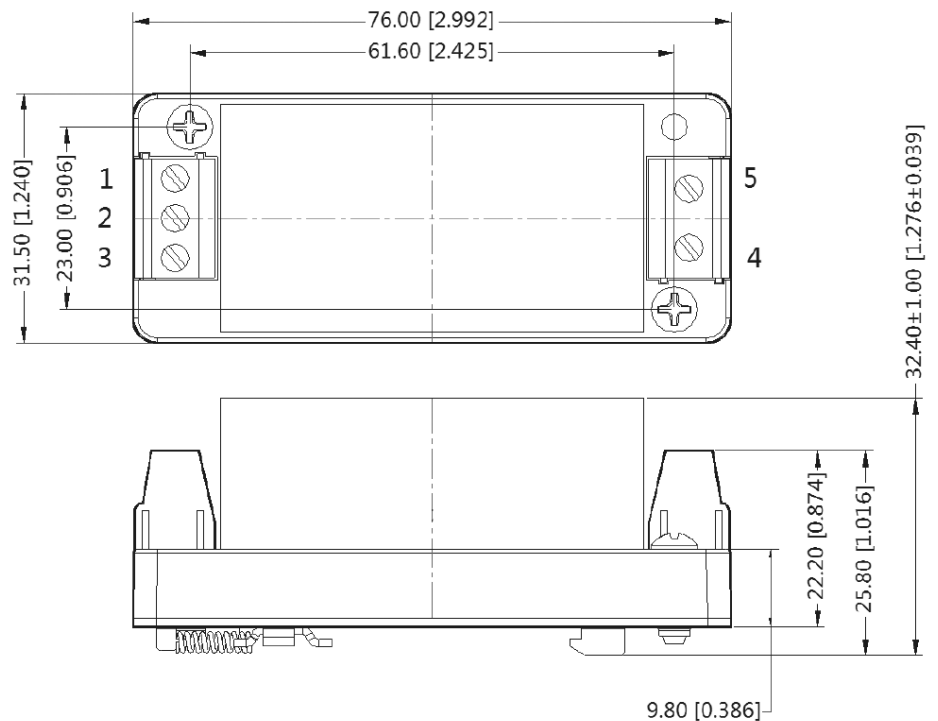


## MECHANICAL DRAWING (DIN-RAIL MOUNT)

units: mm [inch]  
tolerance:  $\pm 0.50[\pm 0.020]$

installed on DIN rail TS35  
wire range: 24~12 AWG

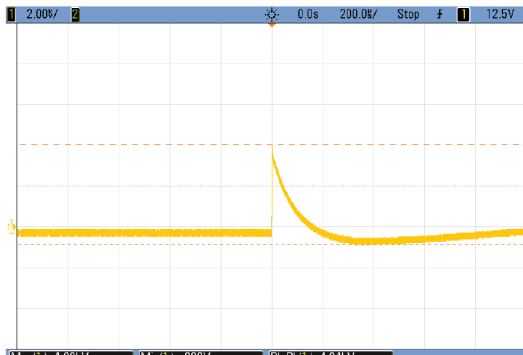
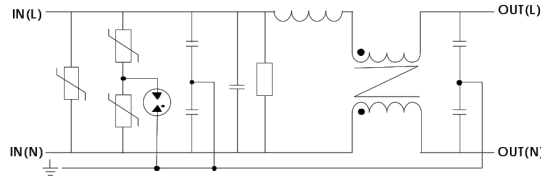
PIN CONNECTIONS	
PIN	Function
1	GND
2	IN(N)
3	IN(L)
4	OUT(L)
5	OUT(N)



## EMC SPECIFICATIONS

Put the EMC-30 on the input of the AC-DC module to meet surge level IEC/EN 61000-4-5  $\pm 4$  kV ( $2 \Omega$  internal resistance),  $\pm 6$  kV ( $12 \Omega$  internal resistance), and help to meet EN 55022 Class B.

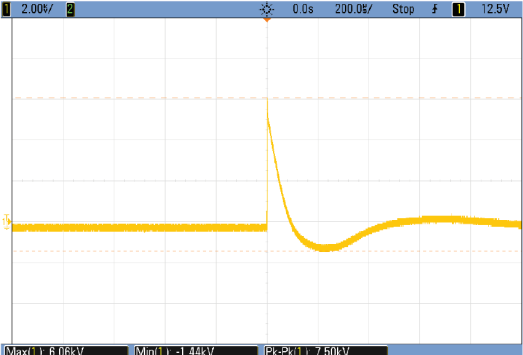
Figure 1  
Internal Circuit



Input voltage waveform (Differential mode 4.06KV)



Output voltage waveform (Differential mode 0.90KV)



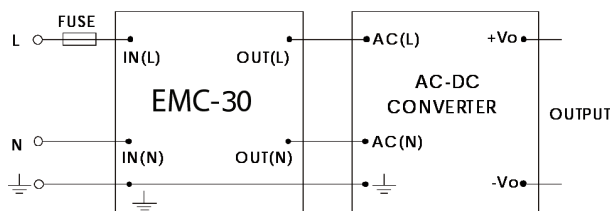
Input voltage waveform (Common mode 6.06KV)



Output voltage waveform (Common mode 1.00KV)

## APPLICATION CIRCUIT

Figure 2  
Application Circuit



## REVISION HISTORY

---

<b>rev.</b>	<b>description</b>	<b>date</b>
1.0	initial release	10/26/2018

The revision history provided is for informational purposes only and is believed to be accurate.



**CUI INC**<sup>®</sup>

**Headquarters**  
20050 SW 112th Ave.  
Tualatin, OR 97062  
**800.275.4899**

Fax 503.612.2383  
**cui.com**  
techsupport@cui.com

CUI offers a two (2) year limited warranty. Complete warranty information is listed on our website.

CUI reserves the right to make changes to the product at any time without notice. Information provided by CUI is believed to be accurate and reliable. However, no responsibility is assumed by CUI for its use, nor for any infringements of patents or other rights of third parties which may result from its use.

CUI products are not authorized or warranted for use as critical components in equipment that requires an extremely high level of reliability. A critical component is any component of a life support device or system whose failure to perform can be reasonably expected to cause the failure of the life support device or system, or to affect its safety or effectiveness.