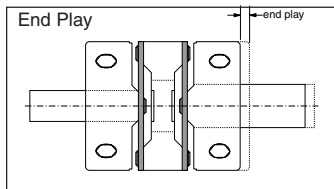
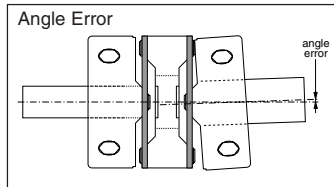
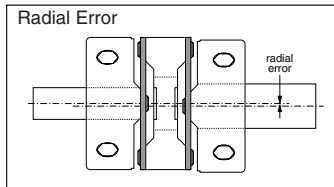
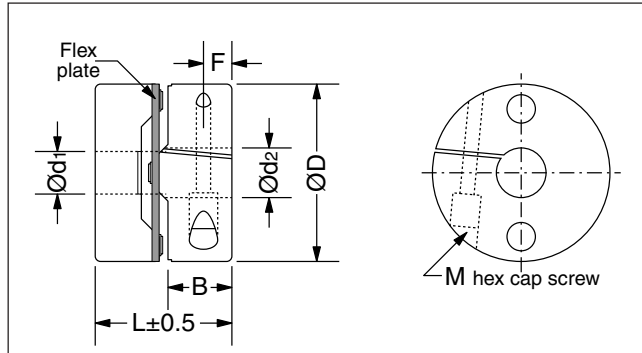


MSC Series Single Plate • Integral Clamp



Basic dimensions

MODEL	ØD	L	B	F	M
MSC 13	13	13.5	5.5	2.5	2
MSC 16	16	17	7	3	2.5
MSC 20	20	18.5	7.5	3.7	2.5
MSC 25	25	22	9	4	3
MSC 32	32	29	12.4	6	4
MSC 40	40	35	15.5	7.8	5
MSC 50	50	41	18	9	6

Standard bore sizes

MSC 13	3	4	5		
MSC 16	4	5	6		
MSC 20	4	5	6	6.35	8
MSC 25	5	6	6.35	8	10
MSC 32	6	8	10	12	14
MSC 40	8	10	12	14	16
MSC 50	14	16	18	20	22

Functional characteristics

MODEL	Rated torque	Max. speed	rigidity	radial error	angle error	end play	mom inertia	Mass
MSC13	P 0.25	12k	60	0.1	2	±0.1	7.0x10 ⁻⁸	4
	C 0.35	12k	100	0.05	1	±0.1		
MSC16	P 0.4	9k	90	0.1	2	±0.1	2.0x10 ⁻⁷	7
	C 0.6	9k	160	0.05	1	±0.1		
MSC20	P 0.6	7.6k	170	0.1	2	±0.1	6.0x10 ⁻⁷	11
	C 0.9	7.6k	290	0.05	1	±0.1		
MSC25	P 1.4	6k	300	0.1	2	±0.2	1.8x10 ⁻⁶	22
	C 2.2	6k	550	0.05	1	±0.2		
MSC32	P 2.6	4.8k	700	0.1	2	±0.3	5.2x10 ⁻⁶	50
	C 3.8	4.8k	1200	0.05	1	±0.2		
MSC40	P 4.4	3.8k	1200	0.15	2	±0.3	1.3x10 ⁻⁵	85
	C 6.8	3.8k	2200	0.1	1	±0.2		
MSC50	P 7.0	3k	1450	0.15	2	±0.3	3.6x10 ⁻⁵	170
	C 11.0	3k	2600	0.1	1	±0.2		

N*m RPM N*m/rad mm ° mm kg*m² g

MSC XX X-X-X

O.D. 2nd Bore Ø
 C = Clamp type 1st Bore Ø
 S = Single plate Flex plate
 P = Polyamide
 C = Carbon FRP



CUI Inc.
 9615 SW Allen Blvd #103
 Beaverton, OR 97005
 Tel: 503/643-4899 FAX: 503/372-1271

DRAWN BY KDW	UPDATED 12/10/04	CHECKED 12/10/04	UNIT MM
PART NO. MSC Couplings A			REV.