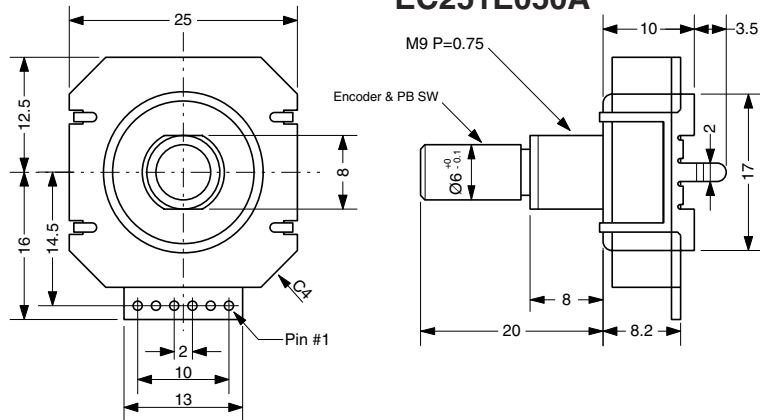
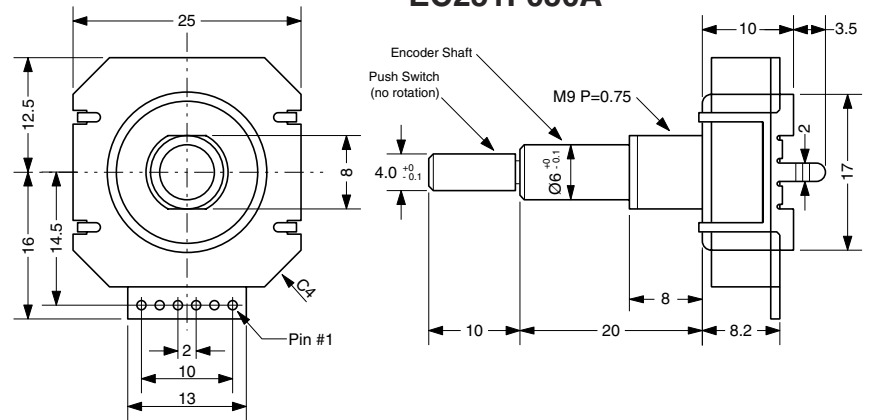


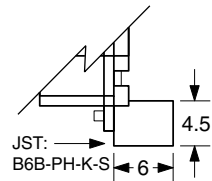
EC251E050A



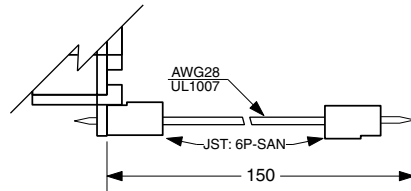
EC251F050A



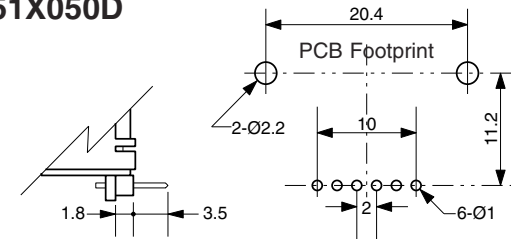
EC251X050B



EC251X050C



EC251X050D



SPECIFICATIONS

ELECTRICAL

1. Input Voltage: 5.0 VDC $\pm 5\%$
2. Resolution: 50PPR
3. Current Consumption: 20mA max.
4. Output Voltage: High: VCC-0.5Vmin
Low: 0.7Vmax
5. Max. Freq. Response: 100Hz

MECHANICAL

1. Max Shaft Load, radial: 1.0 kgf
axial: 1.0 kgf
2. Rotational Angle: 360° continuous
3. Detent Torque: 40 \pm 20 gf•cm max.
4. Maximum Speed: 120 RPM
5. Rotational Life: 1,000,000 cycles

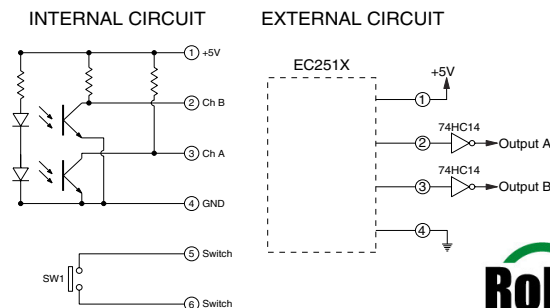
ENVIRONMENTAL

1. Operating Temp: 0° to +60° C
2. Storage Temp: -20° to +80° C
3. Humidity: 85% RH, no condensation
4. Vibration: 10 - 55 Hz, 1.5 mm, 2 hrs
5. Shock: 50G, 6ms, 3 axes, 3 reps

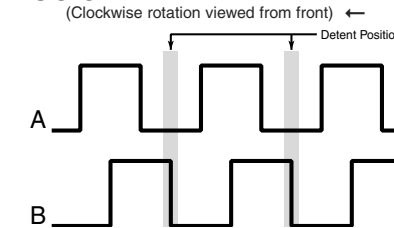
PUSH SWITCH

1. Rating: 12VDC, 50mA
2. Contact Resistance: 200m Ω max.
3. Insulation Resistance: 100M Ω min.
4. Voltage Withstand: 250VAC, 1 min.
5. Operating Force: 306~612gf
6. Travel: 0.7mm \pm 0.3mm
7. Bounce: 10ms
8. Life: 1,000,000 cycles

OUTPUT CIRCUIT



LOGIC PATTERN



ORDERING INSTRUCTIONS

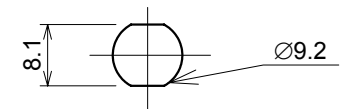
EC251X050XX

- Shaft style:**
E = Single shaft
F = Dual concentric shaft
- Termination options:**
A = Solder holes
B = Connector
C = Cable
D = PC board mount

- Jumper:**
1 = With JMP1
2 = Without JMP1

CUT-OUT DIMENSIONS

Mounting Panel Thickness:
1.6~2.0mm



CUI INC

CUI Inc.
20050 SW 112th Ave.
Tualatin, OR 97062
Tel: 503/612-2300 FAX: 503/612-2383

| | | | |
|------------------|--------------------|--------------------|------------|
| DRAWN BY J RH | UPDATED 4/17/07 | CHECKED 4/17/07 | UNIT MM |
|------------------|--------------------|--------------------|------------|

| | |
|--------------------------------|------------------|
| PART NO. EC251X050XX | REV. B |
|--------------------------------|------------------|

