

SPECIFICATIONS

1. Supply Voltage: 5VDC ±10%
2. Current: 80mA max
3. Output Voltage: High = Vcc-.5V min.
Low = 0.5V max.
4. Resolution: 25 PPR per channel
5. Detent Stops: 100

MECHANICAL

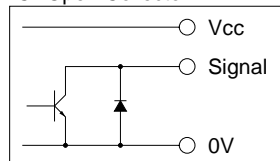
1. Max Shaft Load, radial: 2 kgf
axial: 2 kgf
2. Click Torque: Soft: 81~162 gf•cm
Std: 326~652 gf•cm
3. Rotational Life: 1 x 10⁷ cycles

ENVIRONMENTAL

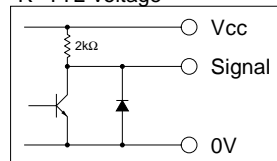
1. Operating Temp: -10° to +60° C
2. Storage Temp: -20° to +85° C
3. Humidity: ≤85% RH, no condensation
4. Vibration: 10~55 Hz, 1.5 mm, 2 hrs
5. Shock: 50G, 11ms, 3 axes, 3 reps

OUTPUT CIRCUITS

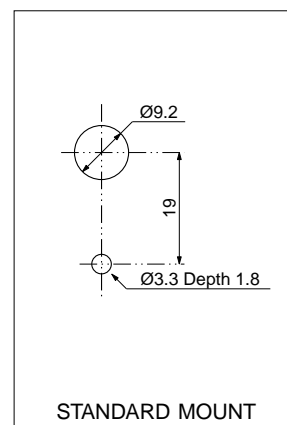
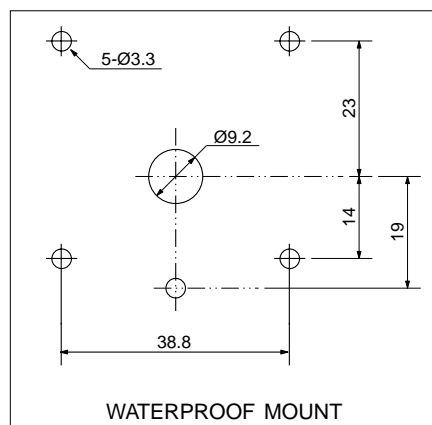
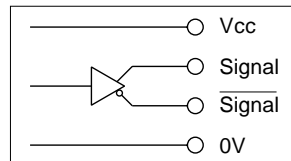
"C" Open Collector



"R" TTL Voltage



"D" Differential Driver

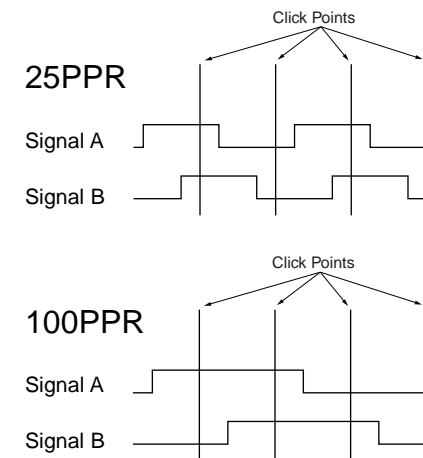


ORDERING INFORMATION

RE45T

- Resolution
1 = 100PPR
2 = 25PPR
- Input Voltage:
5 = 5VDC
2 = 12/24VDC
- Action:
C = Click
S = Soft Click
- Output Type:
M = CMOS
R = 2.2kΩ Pull-up
O = Open Collector
D = Diff Driver (RS-422A)

OUTPUT WAVEFORM



CUI Inc.
9615 SW Allen Blvd. #103
Beaverton, OR 97005
Tel: 503/643-4899 FAX: 503/643-6129

| | | | |
|--------------------------------|---------------------|---------------------|------------------|
| DRAWN BY JAS | UPDATED 10/16/03 | CHECKED 10/16/03 | UNIT MM |
| PART NO. RE45TXXXXXX | | | REV. A |