

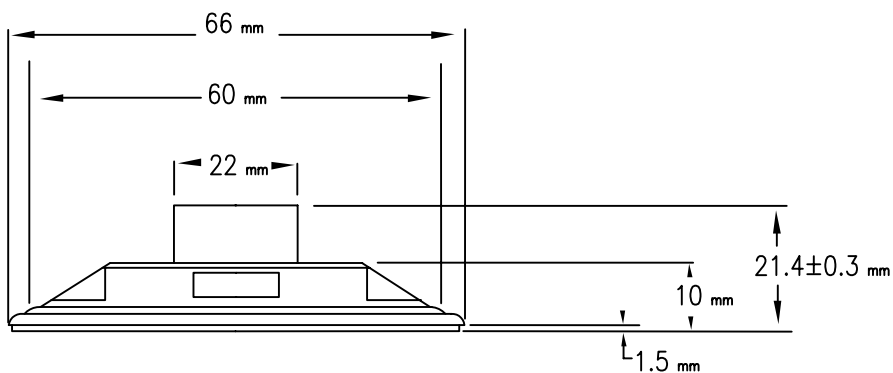
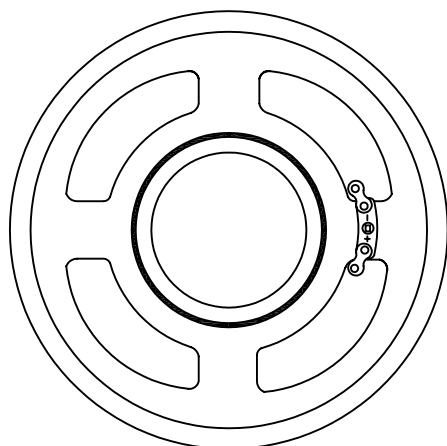


9615 SW Allen, Suite 103  
 Beaverton, OR 97005  
 Phone: (503) 643-4899  
 800-275-4899  
 Fax: (503) 372-1266  
 Website: [www.cui.com](http://www.cui.com)

# Specifications

1	Part No.	GA0661			
2	Nominal Size	66 mm.	2 1/4"	inch	
3	Impedance	8Ω ± 15%	at 800 Hz.	1 V.	
4	Resonance	320 Hz.± 64 Hz.	FO Hz.	1 V.	
5	S.P. Level	87 dB/w ± 3 dB	0.3 w. 50 cm. average at		
6	Response	fo Hz.~ 6K Hz. MAX 10dB	700, 900, 1.2K, 1.4K Hz.		
7	Crossover Freq.	Hz. Hz.	dB/OCT	Net work	
8	Input Power	Nominal Input 0.3 w.	Handling Capacity	0.5 w.	
9	Operation	Must be normal at program source			0.3 w.
10	Buzz, Rattle, etc.	Must be normal at sine wave			1.54 v.
11	Flux Density	Gauss ± 10%			
12	Total Flux	Max well min			
13	Magnet	Size 13 x 10 mm	gr	oz	
14	Total Weight	gr oz			
15	Load Test	After test meet item 9 and 10	White noise	0.3 W.	5 Hours
16	Distortion	% MAX Hz W.			
17	Heat Test	After test meet item 9 and 10	70±2 ±°C	20-50 %R.H.	5 Hours
18	Humidity Test	After test meet item 9 and 10	40±2 ±°C	90-95 %R.H.	5 Hours

PART NO.	GA0661	UNITS:	mm
DRAWN BY:		PAGE NO:	1 of 2



9615 SW Allen, Suite 103  
Beaverton, OR 97005  
Phone: (503) 643-4899  
800-275-4899  
Fax: (503) 372-1266  
Website: [www.cui.com](http://www.cui.com)

TITLE:

PART NO.

GA0661

UNITS:

mm

DRAWN BY:

Page No.

2 of 2