



Part No: GA0776M

Date: 9/26/2006

Unit: mm

Description: speaker

Page No: 1 of 2

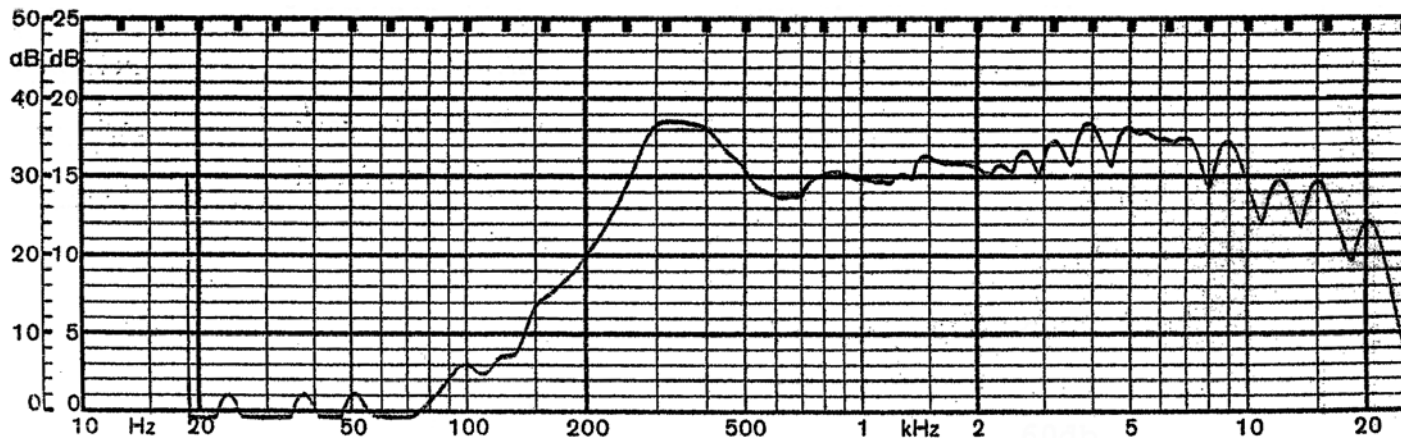


Specifications

| | | |
|----------------------|--------------------------------------|---|
| Nominal Size | 77 mm (3.00 in) | (See attached drawing) |
| Impedance | 8 Ohm \pm 15% | at 800 Hz 1 V |
| Resonant frequency | 320 Hz \pm 64 Hz | at 1 V |
| Sound pressure level | 90 dB/w \pm 3 dB | 1 w 50 cm ave. at 0.7K, 0.9K, 1.2K, 1.4K Hz |
| Response | Fo Hz ~ 25 KHz max 10 dB | |
| Input power | Nominal 1 W | Handling capacity 2 W |
| Operation | must be normal at program source 1 W | |
| Buzz, rattle, etc. | must be normal at sine wave 2.83 V | |
| Magnet | Size: 13 x 10 mm | |
| Load test | White noise 1 W | for 5 hours |
| Heat test | 70 \pm 2° C | 20-50% R.H. 5 hours |
| Humidity test | 40 \pm 2° C | 90-95% R.H. 5 hours |

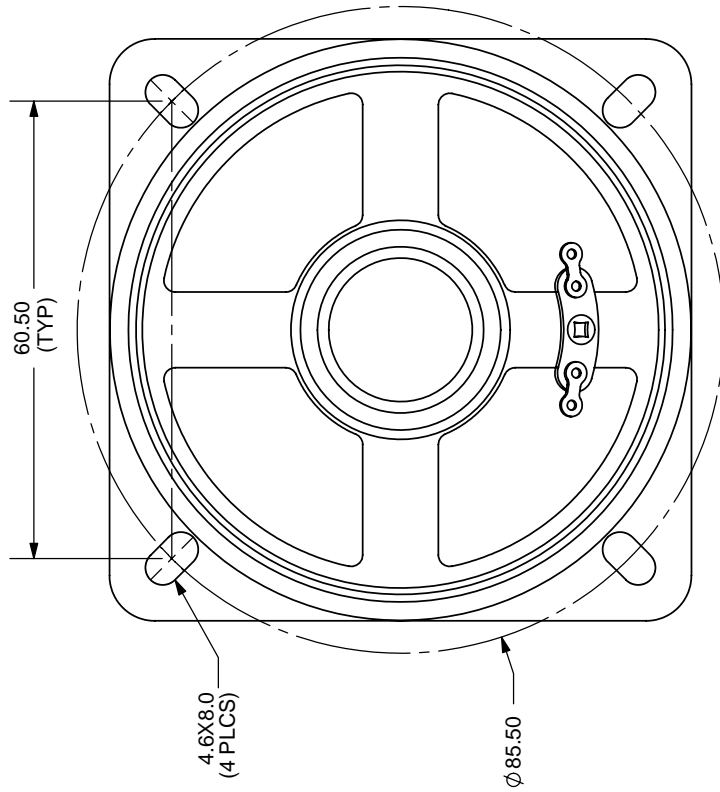
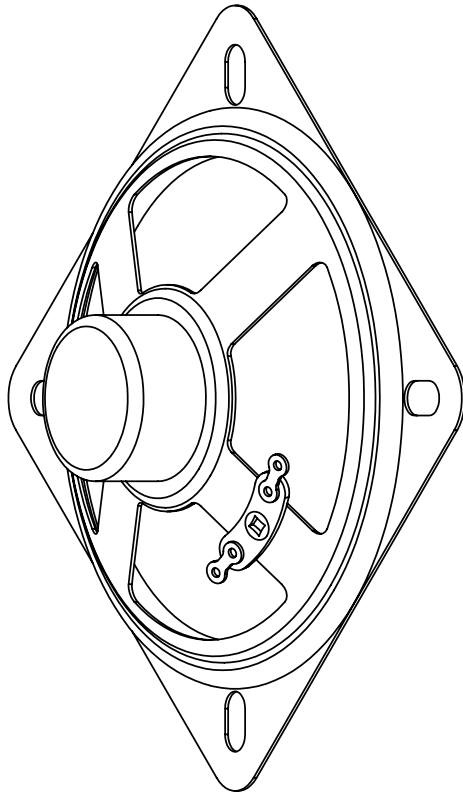
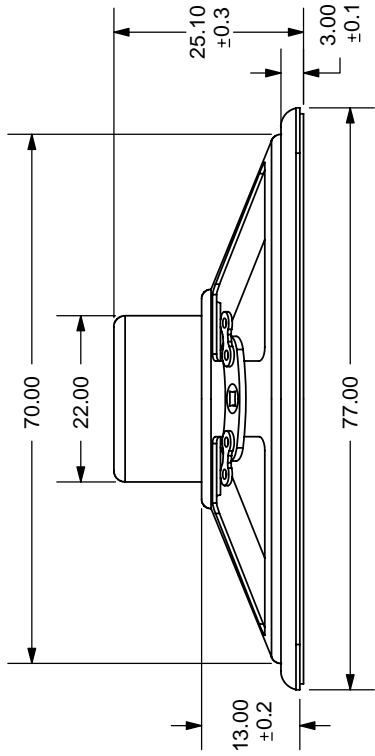
Frequency Response Curve

| | |
|-----------------------|------------|
| Potentiometer range | 50 dB |
| Rectifier | RMS |
| Lower limit frequency | 20 Hz |
| Wr. speed | 100 mm/sec |



Zero level 60 dB

| | | |
|------|-------------|-----------|
| REV. | DESCRIPTION | DATE |
| A | NEW DRAWING | 9/15/2006 |



TOLERANCE:
±0.5mm UNLESS OTHERWISE
SPECIFIED



CUI INC

20050 SW 112th Ave.
Tualatin, OR 97062
Phone: 503-643-4899
800-275-4899
Fax: 503-372-1266
Website: www.cui.com

| | |
|--|--------------------|
| TITLE: Square frame mylar cone - alnico magnet | REV: A |
| PART NO: GA0776M | UNITS: MM [INCHES] |
| DRAWN BY: ZRJ | APPROVED BY: |
| | SCALE: 1:1 |