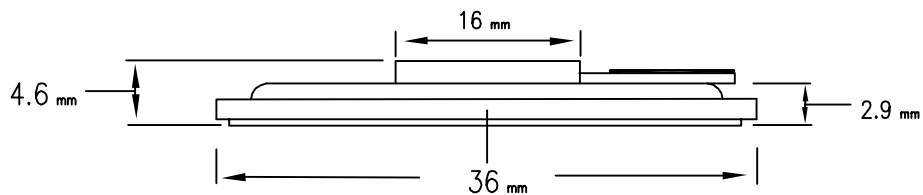
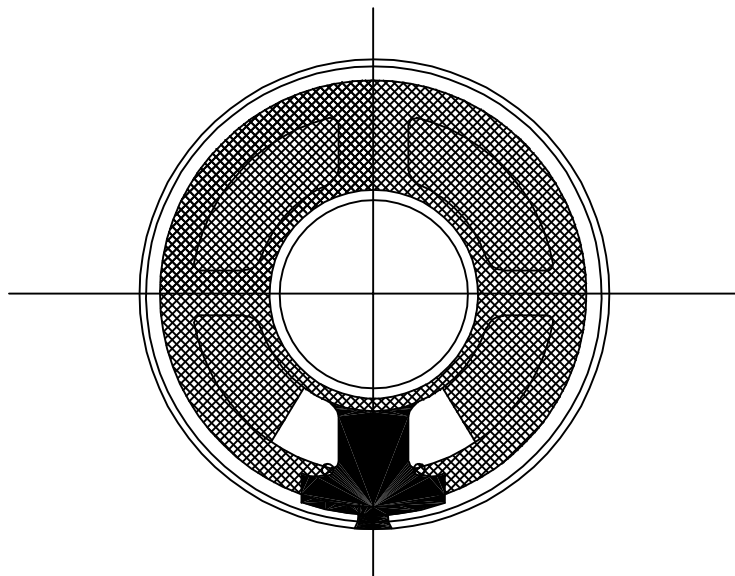


# Specifications

1	Part No.	GC0361MA			
2	Nominal Size	36 mm.	inch		
3	Impedance	$8\Omega \pm 15\%$	at	1K Hz.	1 V.
4	Resonance	530 Hz. $\pm$ 150 Hz.	F0 Hz.	1 V.	
5	S.P. Level	84 dB/w $\pm$ 3 dB	0.2 w.	50 cm.	average at
6	Response	fo Hz. $\sim$ 5K Hz.	MAX 10dB	800, 1K, 1.2K, 1.5K Hz.	
7	Crossover Freq.	Hz.	Hz.	dB/OCT	Net work
8	Input Power	Nominal Input	0.2 w.	Handling Capacity	0.5 w.
9	Operation	Must be normal at program source			0.2 w.
10	Buzz, Rattle, etc.	Must be normal at sine wave			1.3 v.
11	Flux Density	Gauss $\pm$ 10%			
12	Total Flux	Max well min			
13	Magnet	Size	12.5 x 1.5 mm	gr	oz
14	Total Weight				gr oz
15	Load Test	After test meet item 9 and 10	White noise	0.2 W.	24 Hours
16	Distortion	% MAX		Hz	W.
17	Heat Test	After test meet item 9 and 10	65 $\pm$ 2 $\pm$ °C	20-50 %R.H.	24 Hours
18	Humidity Test	After test meet item 9 and 10	40 $\pm$ 2 $\pm$ °C	90-95 %R.H.	24 Hours

PART NO.	GC0361MA	UNITS:	mm
DRAWN BY:		PAGE NO:	1 of 2



9615 SW Allen, Suite 103  
Beaverton, OR 97005  
Phone: (503) 643-4899  
800-275-4899  
Fax: (503) 372-1266  
Website: [www.cui.com](http://www.cui.com)

TITLE:

PART NO.

GC0361MA

UNITS:

mm

DRAWN BY:

Page No.

2 of 2