



PART NUMBER: GC0401S

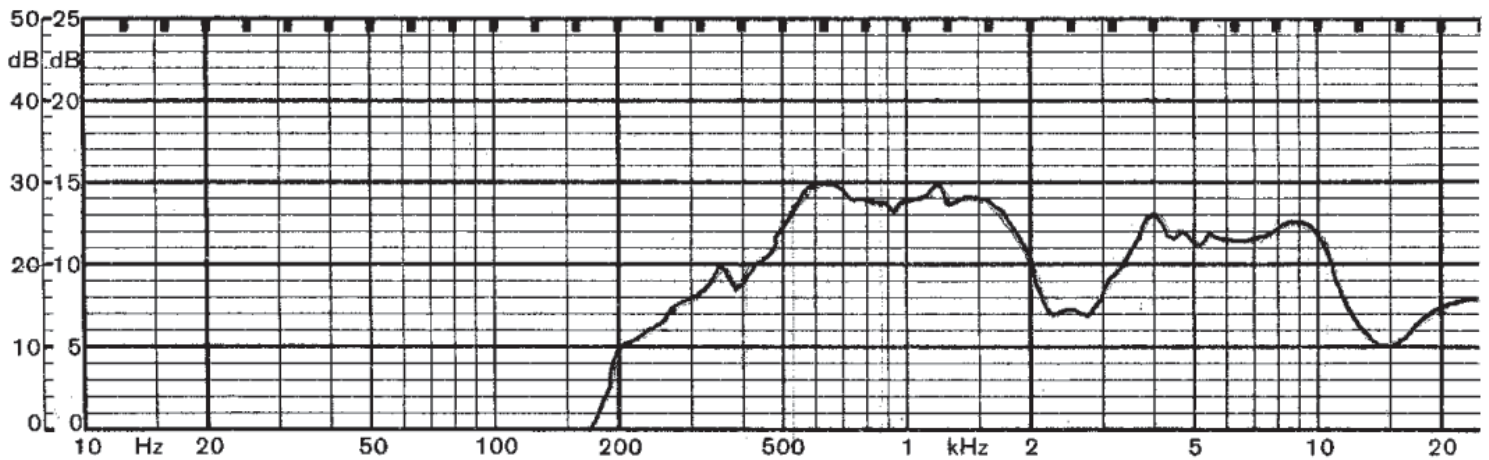
DESCRIPTION: SPEAKER

SPECIFICATIONS

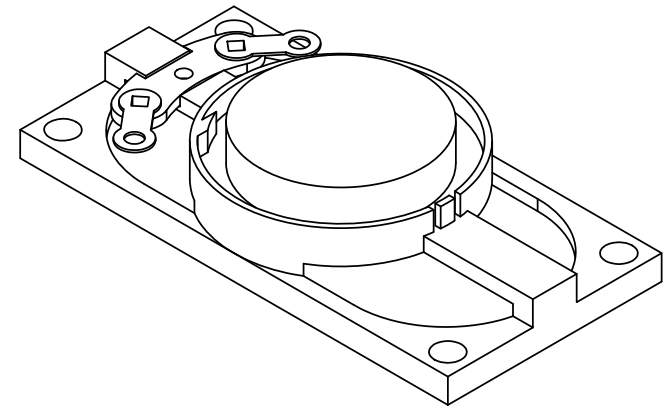
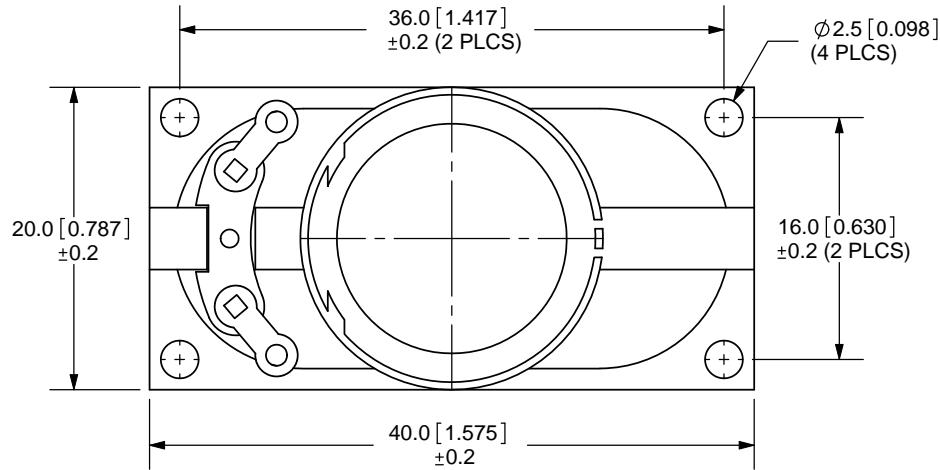
parameter	conditions/description	min	nom	max	units
nominal size	20 x 40 mm				
impedance	at 1.5k Hz, 1 V	6.8	8	9.2	Ω
resonant frequency	at 1 V	440	550	660	Hz
sound pressure level	1 W, 50 cm ave., at 0.6, 0.8, 1, 1.2k Hz	86	89	92	dB
response	10 dB max.	Fo		12,000	Hz
input power			1	2	W
operation	must be normal at program source		1		W
buzz, rattle, etc.	must be normal at sine wave		2.9		V dc
magnet	size: 11 x 1.5 mm				
load test	24 hours of white noise at		1		W
heat test	20 ~ 50% RH for 24 hours	63	65	67	$^{\circ}$ C
humidity test	90 ~ 95% RH for 24 hours	38	40	42	$^{\circ}$ C
RoHS	yes				

FREQUENCY RESPONSE CURVE

parameter	conditions/description
potentiometer range	50 dB
rectifier	RMS
lower limit frequency	20 Hz
wr. speed	100 mm/sec
zero level	60 dB



REV.	DESCRIPTION	DATE
A	NEW DRAWING	6/4/2007
B	cone gap diagram added	10/21/2008
C	terminal update	12/10/2009



TOLERANCE:
±0.5mm UNLESS OTHERWISE
SPECIFIED



20050 SW 112th Ave.
Tualatin, OR 97062
Phone: 503-612-2300
800-275-4899
Fax: 503-612-2383
Website: www.cui.com

TITLE: LOW PROFILE NOTEBOOK SPEAKER		REV: C
PART NO. GC0401S	UNITS: MM [INCHES]	
DRAWN BY: ZRJ	APPROVED BY:	SCALE: 2:1

PC FILE NAME:
GC0401S

COPYRIGHT 2009 BY CUI INC.