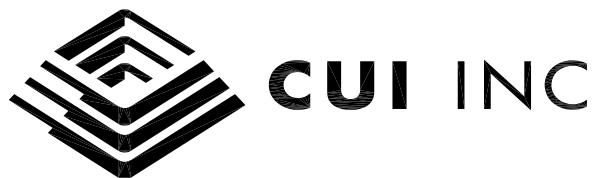


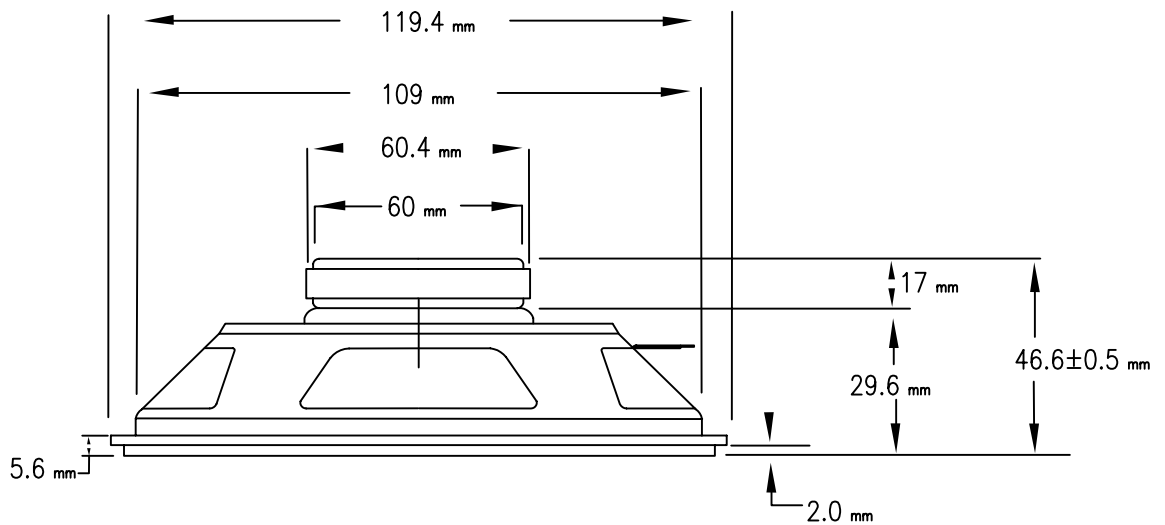
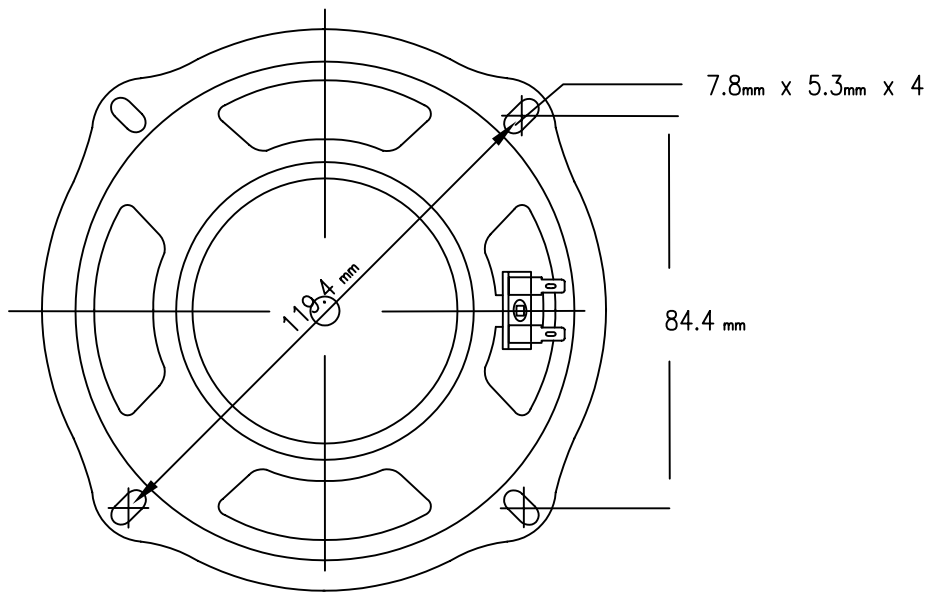
9615 SW Allen, Suite 103  
 Beaverton, OR 97005  
 Phone: (503) 643-4899  
 800-275-4899  
 Fax: (503) 372-1266  
 Website: [www.cui.com](http://www.cui.com)



# Specifications

1	Part No.	GF1202B			
2	Nominal Size	120 mm.	5"	inch	
3	Impedance	8 $\Omega$ $\pm$ 15%	at	600 Hz.	1 V.
4	Resonance	88 Hz. $\pm$ 18 Hz.	FO Hz.	1 V.	
5	S.P. Level	91 dB/w $\pm$ 2 dB	1 w. 50 cm. average at		
6	Response	fo Hz. $\sim$ 14K Hz. MAX 10dB	300, 400, 500, 600 Hz.		
7	Crossover Freq.	Hz.	Hz.	dB/OCT	Net work
8	Input Power	Nominal Input	20 w.	Handling Capacity	30 w.
9	Operation	Must be normal at program source 20 w.			
10	Buzz, Rattle, etc.	Must be normal at sine wave 10 v.			
11	Flux Density	Gauss $\pm$ 10%			
12	Total Flux	Max well min			
13	Magnet	Size	60 x 32 x 8 mm	gr	2.8 oz
14	Total Weight	gr oz			
15	Load Test	After test meet item 9 and 10	White noise	20 W.	48 Hours
16	Distortion	% MAX Hz W.			
17	Heat Test	After test meet item 9 and 10	70 $\pm$ 2 $\pm$ °C	20-50 %R.H.	48 Hours
18	Humidity Test	After test meet item 9 and 10	40 $\pm$ 2 $\pm$ °C	90-95 %R.H.	48 Hours

PART NO.	GF1202B	UNITS:	mm
DRAWN BY:		PAGE NO:	1 of 2



9615 SW Allen, Suite 103  
 Beaverton, OR 97005  
 Phone: (503) 643-4899  
 800-275-4899  
 Fax: (503) 372-1266  
 Website: [www.cui.com](http://www.cui.com)

TITLE:

PART NO.

GF1202B

UNITS:

mm

DRAWN BY:

Page No.

2 of 2