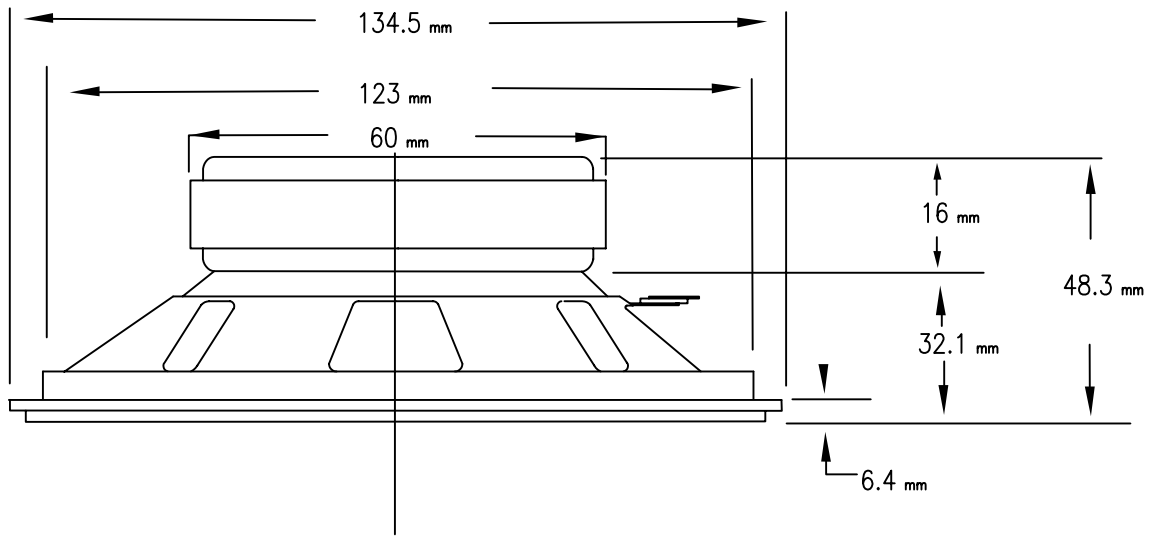
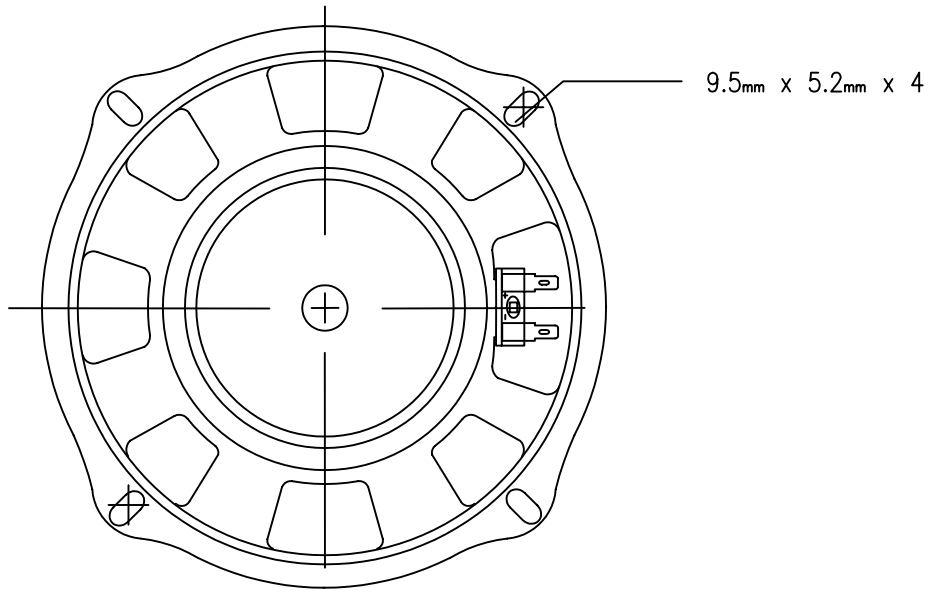


# Specifications

1	Part No.	GF1302			
2	Nominal Size	133 mm.	5 1/4"	inch	
3	Impedance	8 $\Omega$ $\pm$ 15%	at	800 Hz.	1 V.
4	Resonance	90 Hz. $\pm$ 14 Hz.	FO Hz.	1 V.	
5	S.P. Level	94 dB/w $\pm$ 2 dB	1 w.	50 cm.	average at
6	Response	fo Hz. $\sim$ 10K Hz.	MAX 10dB	300, 400, 500, 600 Hz.	
7	Crossover Freq.	Hz.	Hz.	dB/OCT	Net work
8	Input Power	Nominal Input	15 w.	Handling Capacity	25 w.
9	Operation	Must be normal at program source			15 w.
10	Buzz, Rattle, etc.	Must be normal at sine wave			6.3 v.
11	Flux Density	Gauss $\pm$ 10%			
12	Total Flux	Max well min			
13	Magnet	Size	70 x 32 x 10 mm	gr	oz
14	Total Weight	gr oz			
15	Load Test	After test meet item 9 and 10	White noise	15 W.	24 Hours
16	Distortion	% MAX Hz W.			
17	Heat Test	After test meet item 9 and 10	70 $\pm$ 2 $\pm$ °C	20-50 %R.H.	24 Hours
18	Humidity Test	After test meet item 9 and 10	40 $\pm$ 2 $\pm$ °C	90-95 %R.H.	24 Hours

PART NO.	GF1302	UNITS:	mm
DRAWN BY:		PAGE NO:	1 of 2



**9615 SW Allen, Suite 103  
Beaverton, OR 97005  
Phone: (503) 643-4899  
800-275-4899  
Fax: (503) 372-1266  
Website: www.cui.com**

TITLE:

PART NO.

GF1302

UNITS:

mm

DRAWN BY:

Page No.

2 of 2