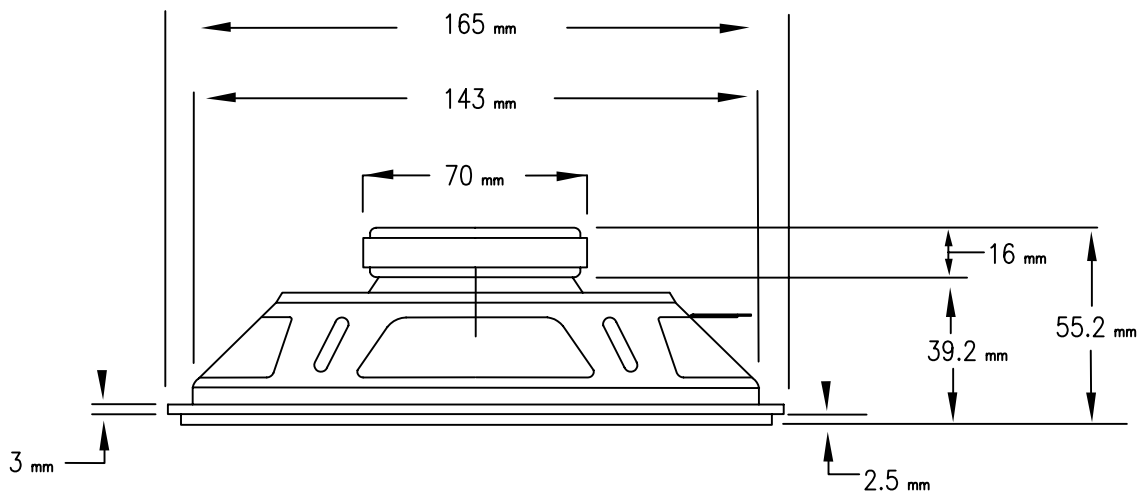
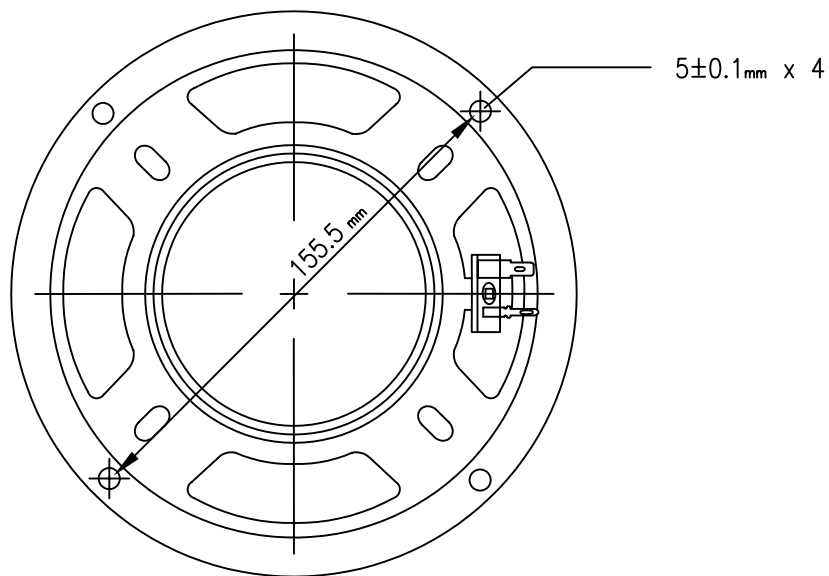




Specifications

1	Part No.	GF1603B			
2	Nominal Size	160 mm.	6 1/2"	inch	
3	Impedance	4Ω ± 15%	at 350 Hz.	1 V.	
4	Resonance	100 Hz.± 20 Hz.	FO Hz.	1 V.	
5	S.P. Level	96 dB/w ± 2 dB	1 w. 50 cm. average at		
6	Response	fo Hz.~ 20K Hz. MAX 10dB	300, 400, 500, 600 Hz.		
7	Crossover Freq.	Hz.	Hz.	dB/OCT	Net work
8	Input Power	Nominal Input 8 w.	Handling Capacity	10 w.	
9	Operation	Must be normal at program source			8 w.
10	Buzz, Rattle, etc.	Must be normal at sine wave			4.5 v.
11	Flux Density	Gauss ± 10%			
12	Total Flux	Max well min			
13	Magnet	Size 70 x 32 x 10 mm	gr	oz	
14	Total Weight	gr oz			
15	Load Test	After test meet item 9 and 10	White noise	8 W.	24 Hours
16	Distortion	% MAX Hz W.			
17	Heat Test	After test meet item 9 and 10	70±2 ±°C	20-50 %R.H.	24 Hours
18	Humidity Test	After test meet item 9 and 10	40±2 ±°C	90-95 %R.H.	24 Hours

PART NO.	GF1603B	UNITS:	mm
DRAWN BY:		PAGE NO:	1 of 2



9615 SW Allen, Suite 103
 Beaverton, OR 97005
 Phone: (503) 643-4899
 800-275-4899
 Fax: (503) 372-1266
 Website: www.cui.com

TITLE:

PART NO.

GF1603B

UNITS:

mm

DRAWN BY:

Page No.

2 of 2