

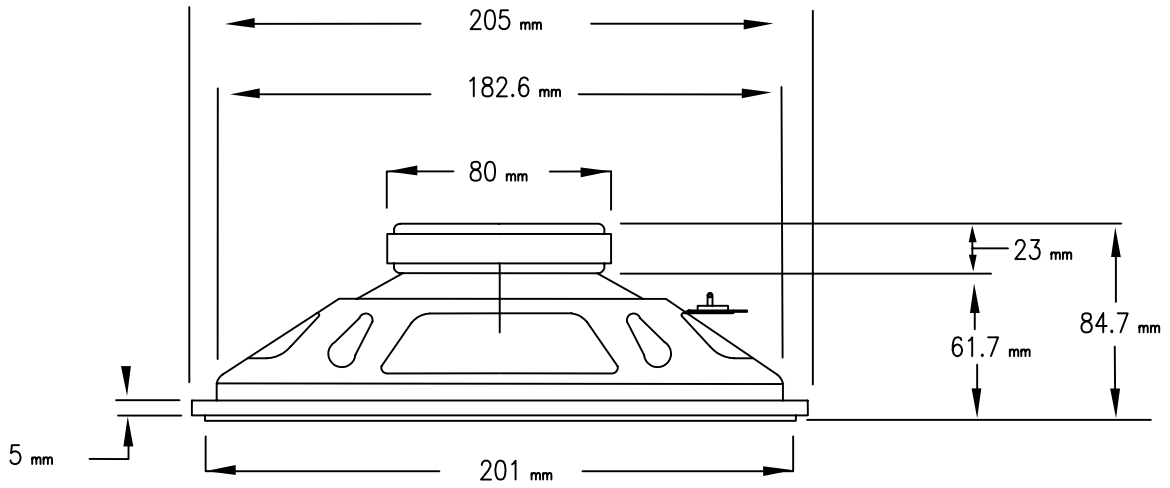
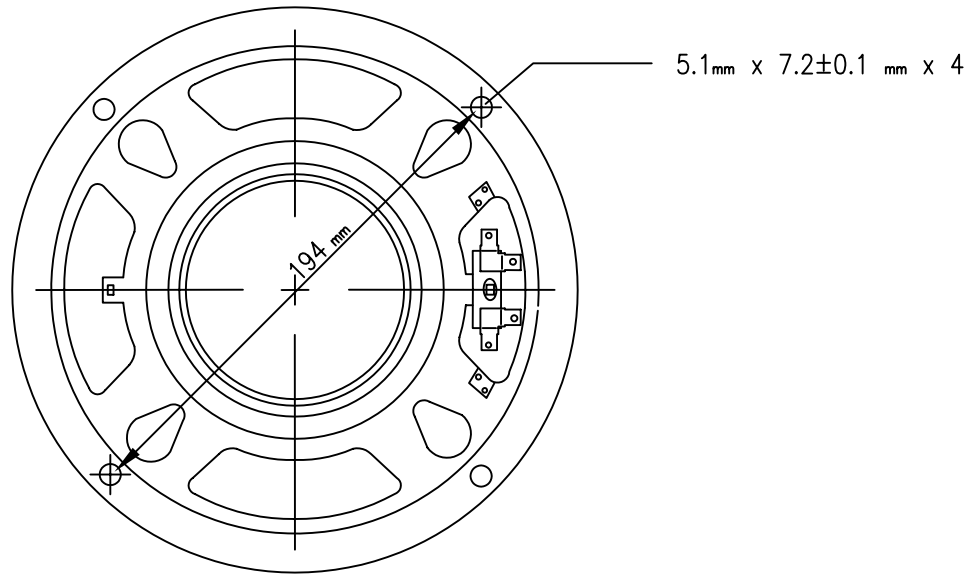
**CUI INC**

9615 SW Allen, Suite 103
 Beaverton, OR 97005
 Phone: (503) 643-4899
 800-275-4899
 Fax: (503) 372-1266
 Website: www.cui.com

Specifications

| | | | | | |
|----|--------------------|----------------------------------|------------------------|-------------------|------------|
| 1 | Part No. | GF2002H | | | |
| 2 | Nominal Size | 205 mm. | 8" | inch | |
| 3 | Impedance | $8 \Omega \pm 15\%$ | at | 200 Hz. | 1 V. |
| 4 | Resonance | 60 Hz. \pm 9 Hz. | FO Hz. | 1 V. | |
| 5 | S.P. Level | 94 dB/w \pm 2 dB | 1 w. | 50 cm. | average at |
| 6 | Response | fo Hz. \sim 6K Hz. MAX 10dB | 400, 500, 600, 700 Hz. | | |
| 7 | Crossover Freq. | Hz. | Hz. | dB/OCT | Net work |
| 8 | Input Power | Nominal Input | 40 w. | Handling Capacity | 50 w. |
| 9 | Operation | Must be normal at program source | | | 40 w. |
| 10 | Buzz, Rattle, etc. | Must be normal at sine wave | | | 8.9 v. |
| 11 | Flux Density | Gauss \pm 10% | | | |
| 12 | Total Flux | Max well min | | | |
| 13 | Magnet | Size | 80 x 40 x 15 mm | gr | oz |
| 14 | Total Weight | | | gr | oz |
| 15 | Load Test | After test meet item 9 and 10 | White noise | 40 W. | 24 Hours |
| 16 | Distortion | | % MAX | Hz | W. |
| 17 | Heat Test | After test meet item 9 and 10 | 70 \pm 2 \pm °C | 20-50 %R.H. | 24 Hours |
| 18 | Humidity Test | After test meet item 9 and 10 | 40 \pm 2 \pm °C | 90-95 %R.H. | 24 Hours |

| | | | |
|-----------|---------|----------|--------|
| PART NO. | GF2002H | UNITS: | mm |
| DRAWN BY: | | PAGE NO: | 1 of 2 |



9615 SW Allen, Suite 103
Beaverton, OR 97005
Phone: (503) 643-4899
800-275-4899
Fax: (503) 372-1266
Website: www.cui.com

TITLE:

PART NO.

GF2002H

UNITS:

mm

DRAWN BY:

Page No.

2 of 2