

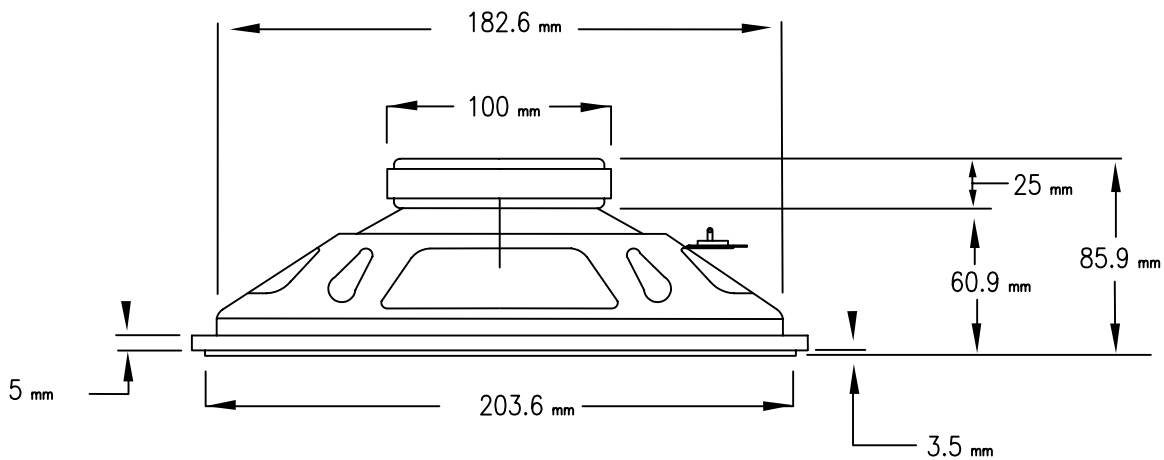
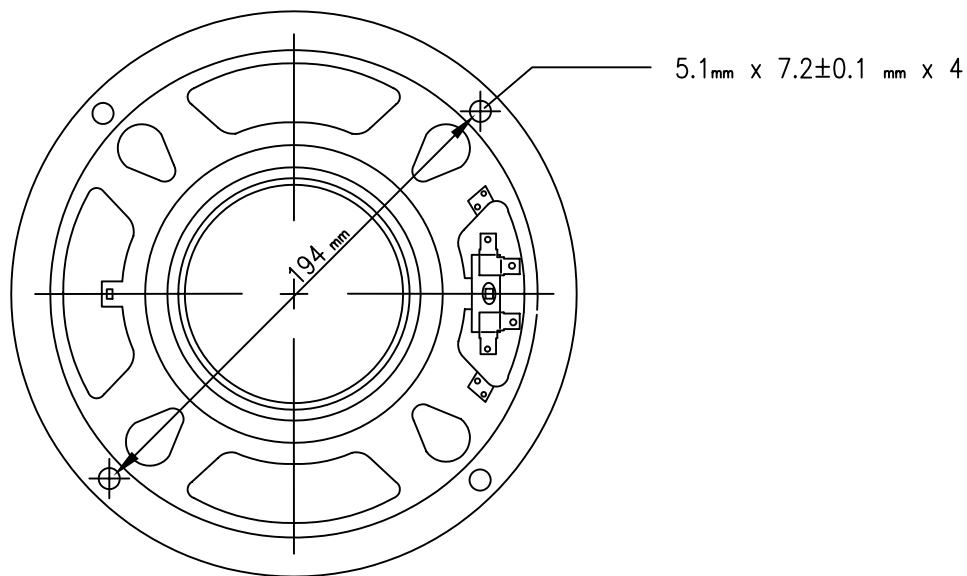

**CUI INC**

9615 SW Allen, Suite 103  
 Beaverton, OR 97005  
 Phone: (503) 643-4899  
 800-275-4899  
 Fax: (503) 372-1266  
 Website: [www.cui.com](http://www.cui.com)

# Specifications

1	Part No.	GF2005			
2	Nominal Size	203 mm.	8"	inch	
3	Impedance	8 $\Omega$ $\pm$ 15%	at	200 Hz.	1 V.
4	Resonance	50 Hz. $\pm$ 8 Hz.	FO	Hz.	1 V.
5	S.P. Level	94 dB/w $\pm$ 2 dB	1 w.	50 cm.	average at
6	Response	fo Hz. $\sim$ 8K Hz.	MAX 10dB	400, 500, 600, 700	Hz.
7	Crossover Freq.	Hz.	Hz.	dB/OCT	Net work
8	Input Power	Nominal Input	50 w.	Handling Capacity	80 w.
9	Operation	Must be normal at program source			50 w.
10	Buzz, Rattle, etc.	Must be normal at sine wave			8.9 v.
11	Flux Density	Gauss $\pm$ 10%			
12	Total Flux	Max well min			
13	Magnet	Size	100 x 60 x 15	mm	gr oz
14	Total Weight				gr oz
15	Load Test	After test meet item 9 and 10	White noise	50 w.	48 Hours
16	Distortion	% MAX		Hz	W.
17	Heat Test	After test meet item 9 and 10	70 $\pm$ 2 $\pm$ °C	20-50 %R.H.	48 Hours
18	Humidity Test	After test meet item 9 and 10	40 $\pm$ 2 $\pm$ °C	90-95 %R.H.	48 Hours

PART NO.	GF2005	UNITS:	mm
DRAWN BY:		PAGE NO:	1 of 2



9615 SW Allen, Suite 103  
 Beaverton, OR 97005  
 Phone: (503) 643-4899  
 800-275-4899  
 Fax: (503) 372-1266  
 Website: [www.cui.com](http://www.cui.com)

TITLE:

PART NO.

GF2005

UNITS:

mm

DRAWN BY:

Page No.

2 of 2