



PART NUMBER: HC1

DESCRIPTION: handy pulser

ELECTRICAL SPECIFICATIONS

	1	5	D	2
supply voltage	12 V dc ±10%	5 V dc ±10%	5 V dc ±10%	24 V dc ±10%
current consumption (max.)	60 mA	80 mA	150 mA	30 mA
output voltage	H: ≥ 4 V L: ≤ 0.4 V	V _{cc} - 0.5 V ≤ 0.4 V	≥ 2 V ≤ 0.4 V	≤ 0.4 V
output resolution (ppr)	25, 100	25, 100	25, 100	25, 100
contact rating	24 V max., 0.4 VA max. (selector switches)			
frequency response	1 kHz			
output waveform	Square wave			
output signals	A, B phase			

MECHANICAL SPECIFICATIONS

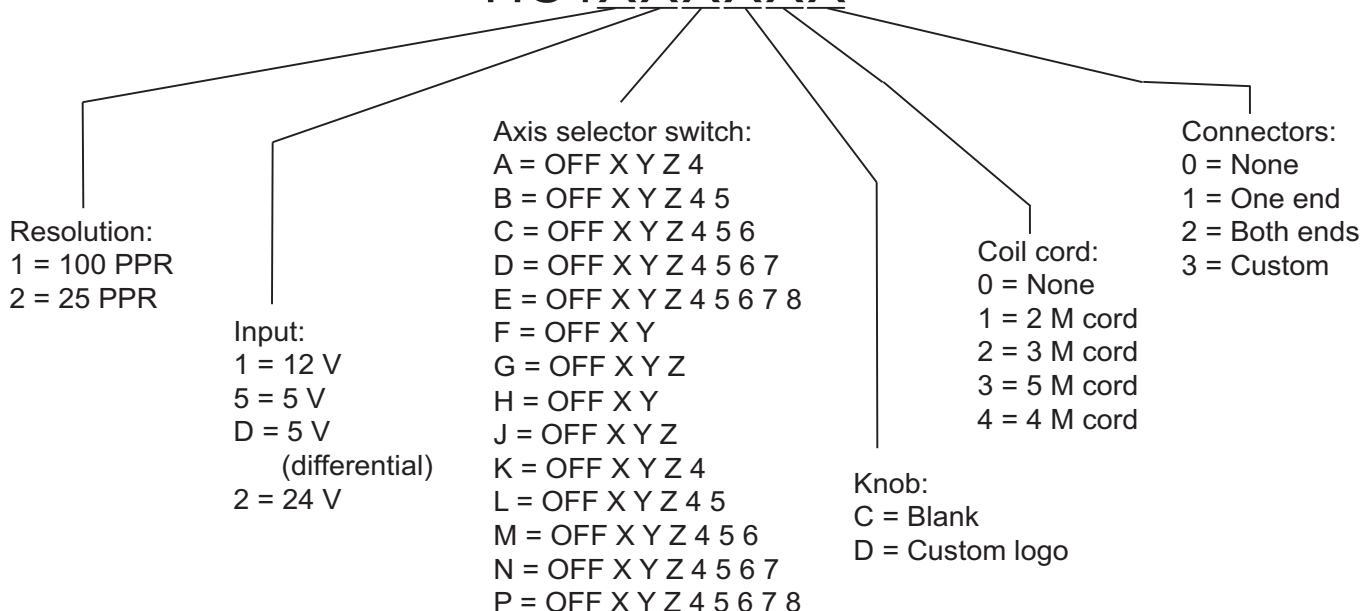
max shaft load, radial:	2 kgf
axial:	2 kgf
rotational torque	160 ~ 320 gf•cm (pulse wheel) 50 ~ 150 gf•cm (switches)
rotational life	10 ⁶ cycles (pulse wheel), 50,000 cycles (switches)

ENVIRONMENTAL SPECIFICATIONS

operating temp	-10° to +60° C
storage temp	-40° to +70° C
humidity	≤ 85% RH, no condensation
vibration	10~55 Hz, 1.5 mm, 2 hours
shock	50G, 11 ms, 3 axes, 3 reps

ORDERING INSTRUCTIONS

HC1XXXXXXXX



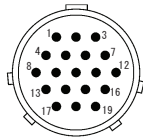
PART NUMBER: HC1

DESCRIPTION: handy pulser

OUTPUT WAVEFORM



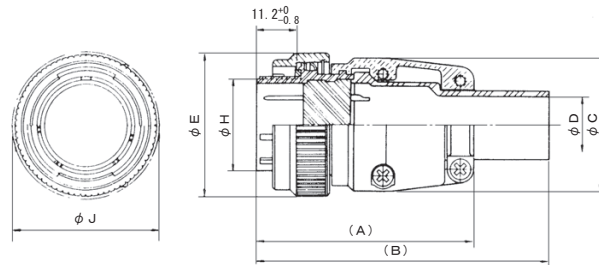
MALE INSERT CONNECTOR ARRANGEMENT



● ϕ 1.0mm Contacts

Note : Connector mating side for plug shell (Standard insert position)

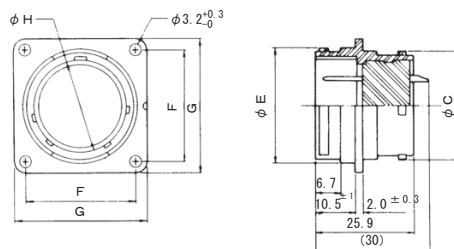
MALE INSERT CONNECTOR



note: Daiichi model number: EBSP-2119MG

Shell Size	A	B	C ± 0.5	D ± 0.5	E ± 1	H $\begin{smallmatrix} +0 \\ -0.3 \end{smallmatrix}$	J ± 1
21	55.6	75.6	31.6	12.2	33.5	20.5	35.5

FEMALE INSERT CONNECTOR



note: Daiichi model number: EBR-2119FGS

Shell Size	C ± 0.5	E ± 0.3	F ± 0.2	G ± 0.5	H
21	24.3	26	26	32	20.7

PART NUMBER: HC1

DESCRIPTION: handy pulser

MECHANICAL DRAWING

