



**PART NUMBER:** MAH36

**DESCRIPTION:** absolute encoder

**ELECTRICAL SPECIFICATIONS**

output signals	G: gray code, N: pure binary, B: BCD code
output circuit	NPN open collector
logic	negative logic (H=0, L=1)
current consumption	70mA or less (under no load)
frequency response	10 KHz
supply voltage	3: 5 V dc ±10%; 4: 24 Vdc ±15%
output resolution (ppr)	256, 360, 512, 720, 1000*, 1024
max ouput current	sink current each bit 30mA

\*BCD code only

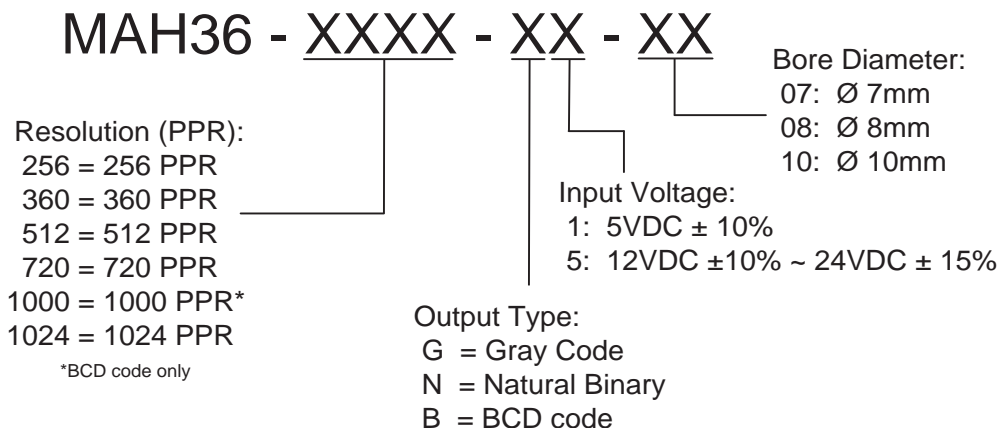
**MECHANICAL SPECIFICATIONS**

max shaft loading, radial:	19.6N (2kgf)
thrust:	9.8N (1kgf)
starting torque	5 X 10 <sup>-3</sup> N·m max (50gf·cm)
max rotational speed	6000 RPM
shock resistance	500m/s <sup>2</sup> (50g) X, Y, Z each 3 times
vibration proof	55 Hz / 1.5mm 2h each X, Y, Z
weight	180g (with 1m cable)
cable	outside diameter 6mm, 16-core vinyl wire insulated shield cable (length 1m)

**ENVIRONMENTAL SPECIFICATIONS**

operating temp	-10° to +60° C
storage temp	-20° to +80° C
humidity	RH 35%~ 90%, non collecting

**ORDERING INSTRUCTIONS**

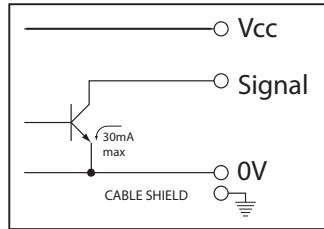




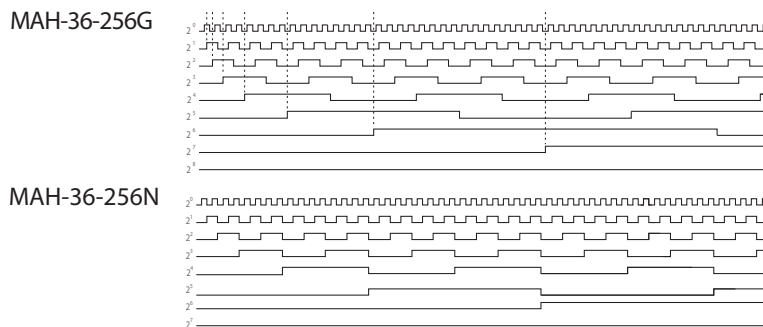
PART NUMBER: MAH36

DESCRIPTION: absolute encoder

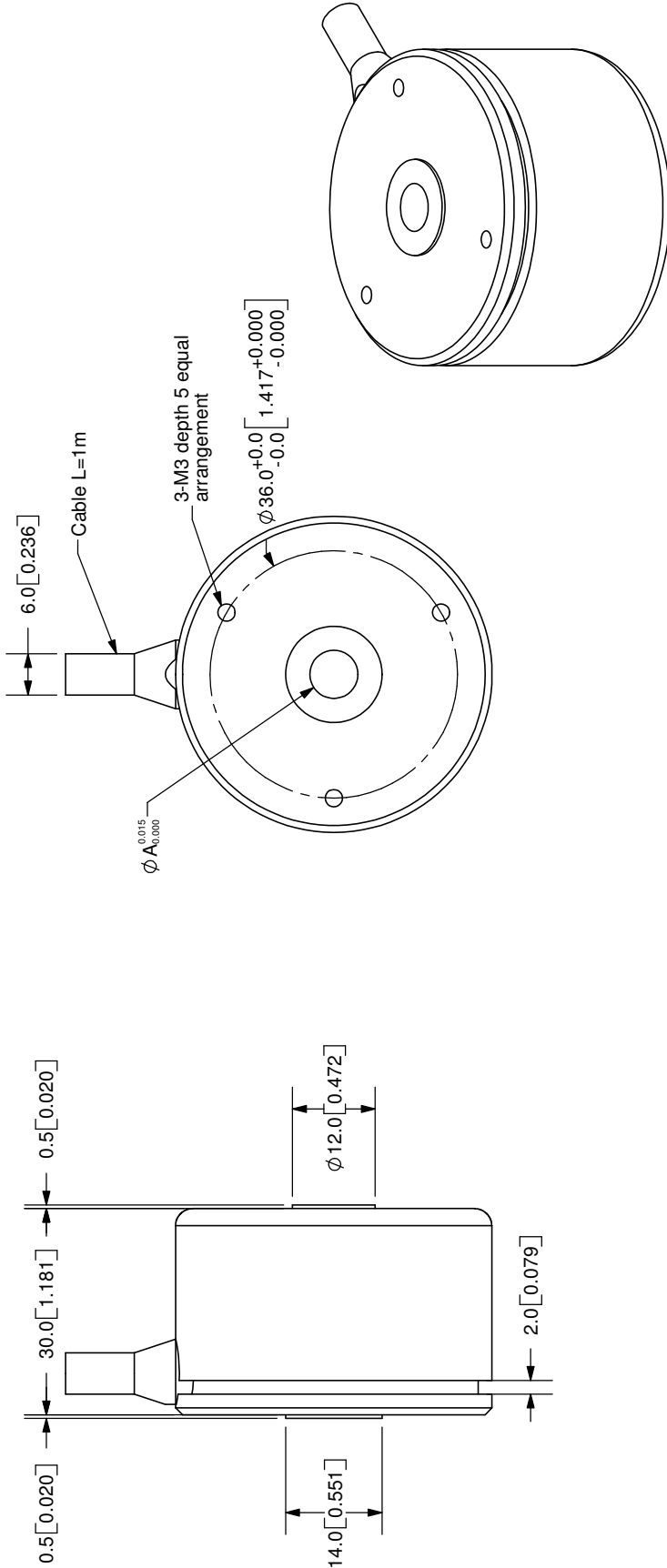
### CIRCUIT CONNECTIONS



### OUTPUT WAVEFORM



REV.	DESCRIPTION	DATE
A	NEW DRAWING	7/30/2007

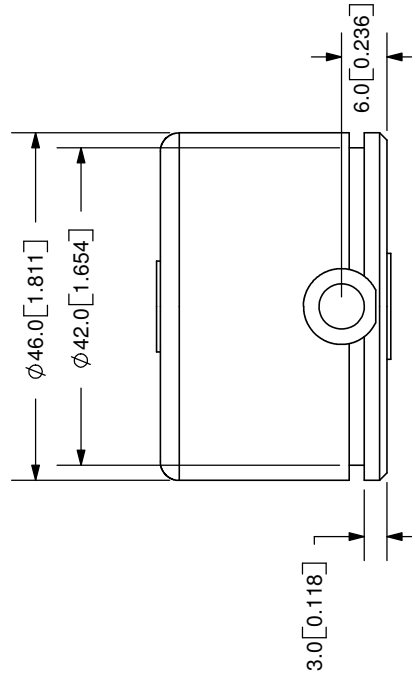


TOLERANCE:  
±0.3mm UNLESS OTHERWISE  
SPECIFIED



20050 SW 112th Ave.  
Tualatin, OR 97062  
Phone: 503-612-2300  
800-275-4899  
Fax: 503-612-2383  
Website: www.cui.com

TITLE:	Incremental Encoder	REV:	A
PART NO.	MAH36	UNITS:	MM [INCHES]
DRAWN BY:	JMS	APPROVED BY:	
		SCALE:	1:1



Cable Color	Brown	Brown/Black	Orange	Orange/Black	Yellow	Yellow/Black	Green	Green/Black
Output Type	2 <sup>0</sup>	2 <sup>1</sup>	2 <sup>2</sup>	2 <sup>3</sup>	2 <sup>4</sup>	2 <sup>5</sup>	2 <sup>6</sup>	2 <sup>7</sup>
Cable Color	Blue	Blue/Black	Purple	Purple/Black	Red/Black	Red	Black	Black
Output Type	2 <sup>8</sup>	2 <sup>9</sup>	NC	NC	Power	0V	0V	0V

COPYRIGHT 2007  
BY CUI INC.

PC FILE NAME:  
MAH36