



PART NUMBER: MEH180

DESCRIPTION: incremental encoder

ELECTRICAL SPECIFICATIONS

output waveform	Square wave
output signals	A, \bar{A} , B, \bar{B} , Z, \bar{Z} phase
current consumption	± 15 VDC $\pm 10\%$ $\leq 0.2A$, 5V $\pm 0.2A$
frequency response	0~300 KHz
output phase difference	A, B phase difference $90^\circ \pm 45^\circ$ (T/4 \pm T/8) Z phase T \pm T/2 (see output waveform)
supply voltage	15 Vdc $\pm 10\%$, 5 Vdc
output resolution (ppr)	36000, 54000
waveform rise/fall time	2 μ or less (output cable 1m or less)

MECHANICAL SPECIFICATIONS

max shaft load, radial:	29.4N (3kgf)
axial:	19.6N (2kgf)
starting torque	80×10^{-3} N·m (800 gf·cm) (no oil seal)
max rotational speed	300 RPM
shock resistance	500 m/s ² (50G), 3 times each on XYZ
vibration proof	55 Hz, double amplitude 1.5mm, 2 hours each on XYZ
weight	5kg (with 1m cable)
cable	8mm outside diameter, insulated shield cable (1m)

ENVIRONMENTAL SPECIFICATIONS

operating temp	0° to +60° C
storage temp	-20° to +80° C
humidity	RH 35%~90% non collecting

ORDERING INSTRUCTIONS

MEH180 - XXXXXE

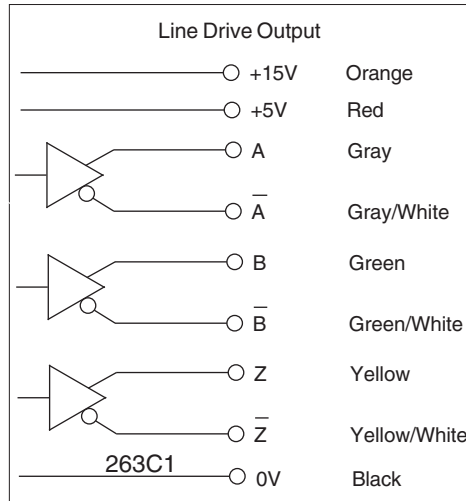
Resolution (PPR):
36000 = 36000 PPR
54000 = 54000 PPR

Output Type:
E = Line driver output

PART NUMBER: MEH180

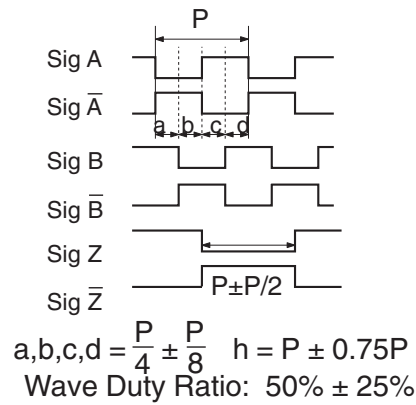
DESCRIPTION: incremental encoder

CIRCUIT CONNECTIONS

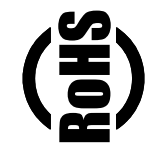
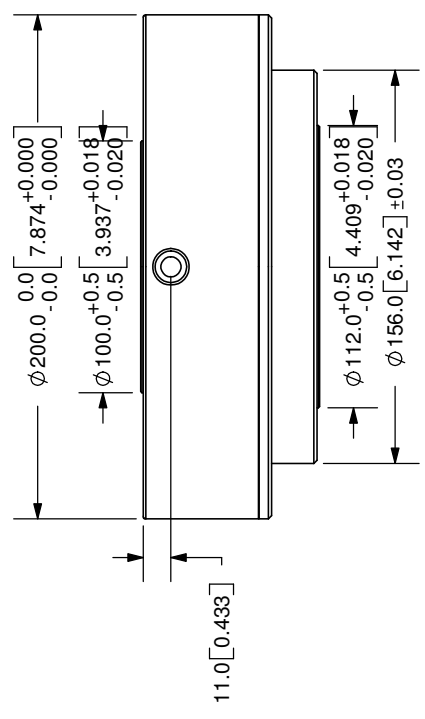
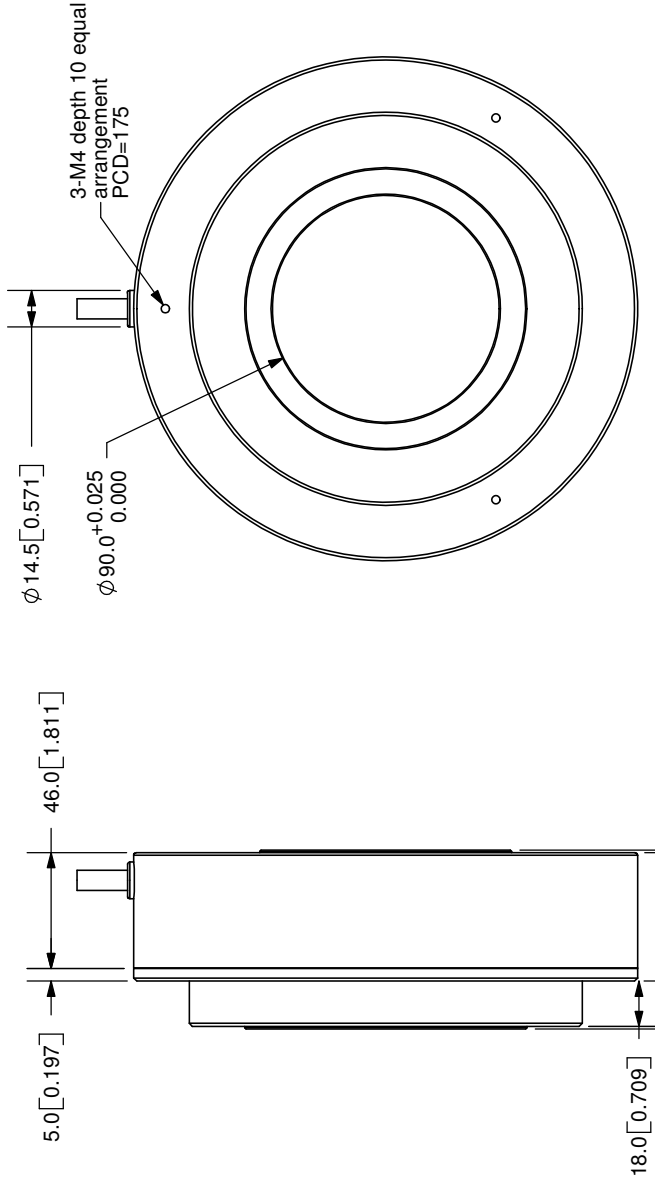


OUTPUT WAVEFORM

(Clockwise rotation viewed from front)



REV.	DESCRIPTION	DATE
A	NEW DRAWING	7/30/2007



TOLERANCE:
±0.3mm UNLESS OTHERWISE
SPECIFIED



20050 SW 112th Ave.
Tualatin, OR 97062
Phone: 503-612-2300
800-275-4899
Fax: 503-612-2383
Website: www.cui.com

TITLE:	Incremental Encoder	REV:	A
PART NO.	MEH180	UNITS:	MM [INCHES]
DRAWN BY:	JMS	APPROVED BY:	
		SCALE:	1:3

Cable Color	Orange	Orange/White	Red	Gray	Gray/White	Green	Green/White	Yellow
Output Type	Positive	Negative	Positive	A	A	B	B	Z
Cable Color	Yellow/White	Black	0V	-	-	-	-	-
Output Type	Z	-	-	-	-	-	-	-

PC FILE NAME: MEH180
COPYRIGHT 2007 BY CUI INC.