



**PART NUMBER:** MEH20-PS

**DESCRIPTION:** sine wave encoder

**ELECTRICAL SPECIFICATIONS**

output waveform	A, B phase sine wave, Z phase square wave
output signals	A, B, Z phase
current consumption	≤40 mA
frequency response	0~50 KHz
output phase difference	A, B phase difference 90° ± 45° (T/4±T/8) Z phase T±T/2 (see output waveform)
supply voltage	5 V dc ± 5%
output resolution (ppr)	1000, 2000, 2500

**MECHANICAL SPECIFICATIONS**

max shaft load, radial:	14.7N (1.5kgf)
axial:	4.9N (0.5kgf)
starting torque	2 x 10 <sup>-3</sup> N·m (20 gf·cm)
max rotational speed	6000 RPM
shock resistance	500 m/s <sup>2</sup> (50G), 3 times each on XYZ
vibration proof	55 Hz, double amplitude 1.5mm, 2 hours each on XYZ
weight	70g (with 1m cable)
cable	4.2mm outside diameter, 5 core vinyl wire insulated shield cable (1m)

**ENVIRONMENTAL SPECIFICATIONS**

operating temp	0° ~ +50° C
storage temp	-20° ~ +80° C
humidity	RH 35%~90% non collecting

**ORDERING INSTRUCTIONS**

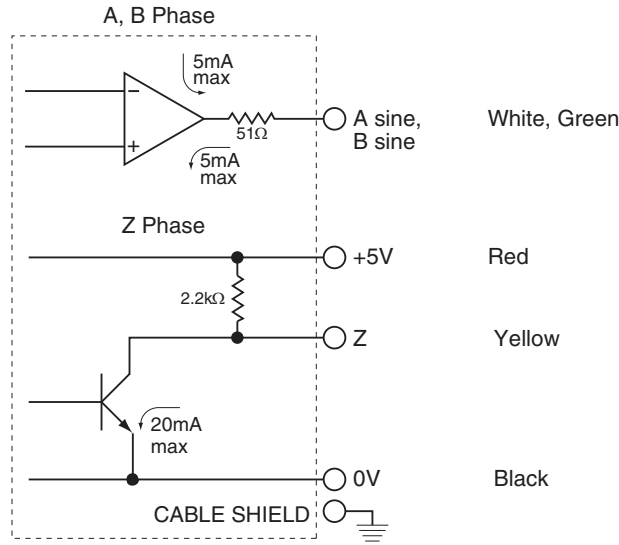
MEH20 - XXXXPS

Resolution (PPR):  
1000 = 1000 PPR  
2000 = 2000 PPR  
2500 = 2500 PPR

**PART NUMBER:** MEH20-PS

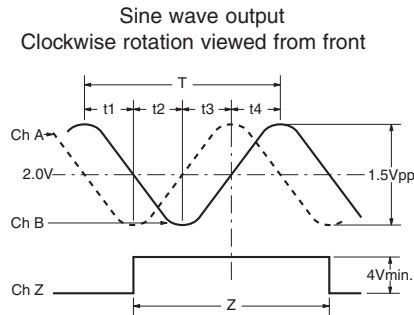
**DESCRIPTION:** sine wave encoder

**CIRCUIT CONNECTIONS**



A capacitor (0.1  $\mu$ F) is connected between 0 V and FG (frame ground).

**OUTPUT WAVEFORM**



$$T = 360^\circ / \text{divisions} \quad t1, t2, t3, t4 = \frac{T}{4} \pm \frac{T}{8}$$

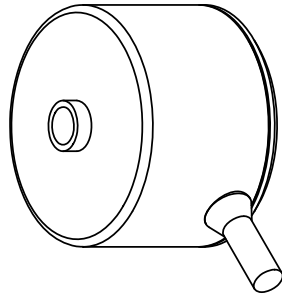
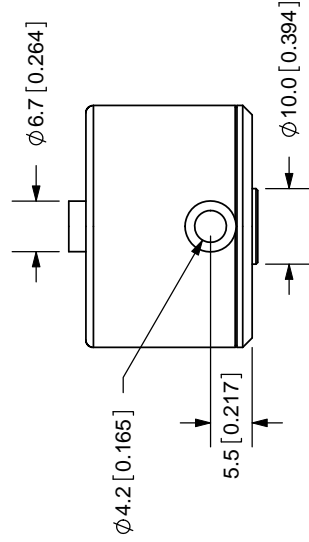
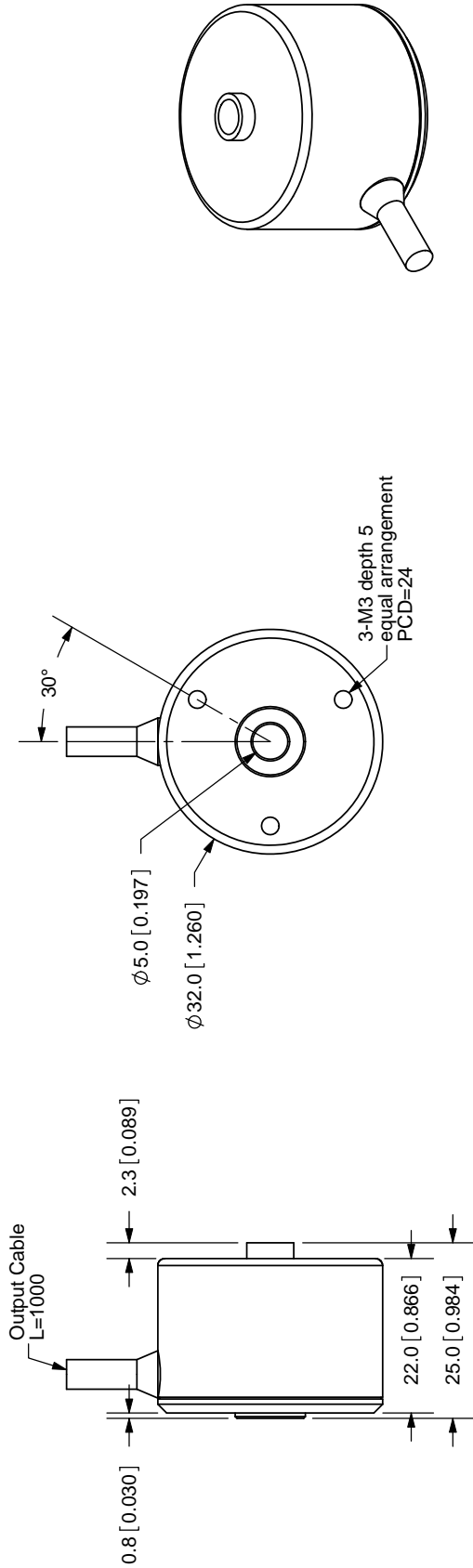
$$Z = T \pm 0.50T$$

$$M = M \times 20\% \text{ or less}$$

- Amplitude variation rate
- Amplitude waviness
- A/B Phase amplitude ratio

The position of Z phase against A, B phase is not specified

REV.	DESCRIPTION	DATE
A	NEW DRAWING	7/27/2007



TOLERANCE:  
#0.3mm UNLESS OTHERWISE  
SPECIFIED



20050 SW 112th Ave.  
Tualatin, OR 97062  
Phone: 503-612-2300  
800-275-4899  
Fax: 503-612-2383  
Website: www.cui.com

TITLE: Incremental Encoder	REV: A
PART NO: MEH20-PS	UNITS: MM [INCHES]
DRAWN BY: JMS	APPROVED BY:
SCALE: 1:1	

Cable Color	Red	White	Green	Yellow	Black	-	-	-
Output Type	Power	A-Phase	B-Phase	Z-Phase	0V	-	-	-

COPYRIGHT 2007  
BY CUI INC.

PC FILE NAME:  
MEH20-PS