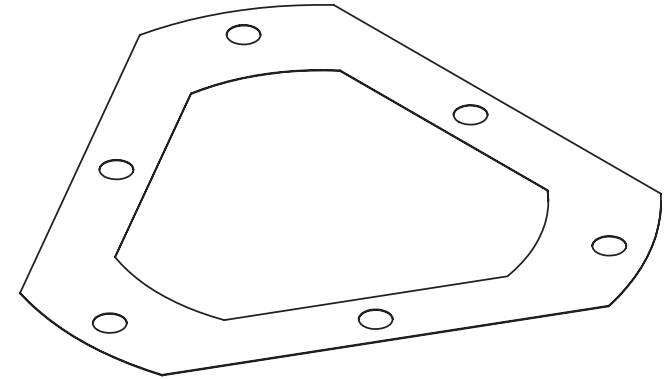
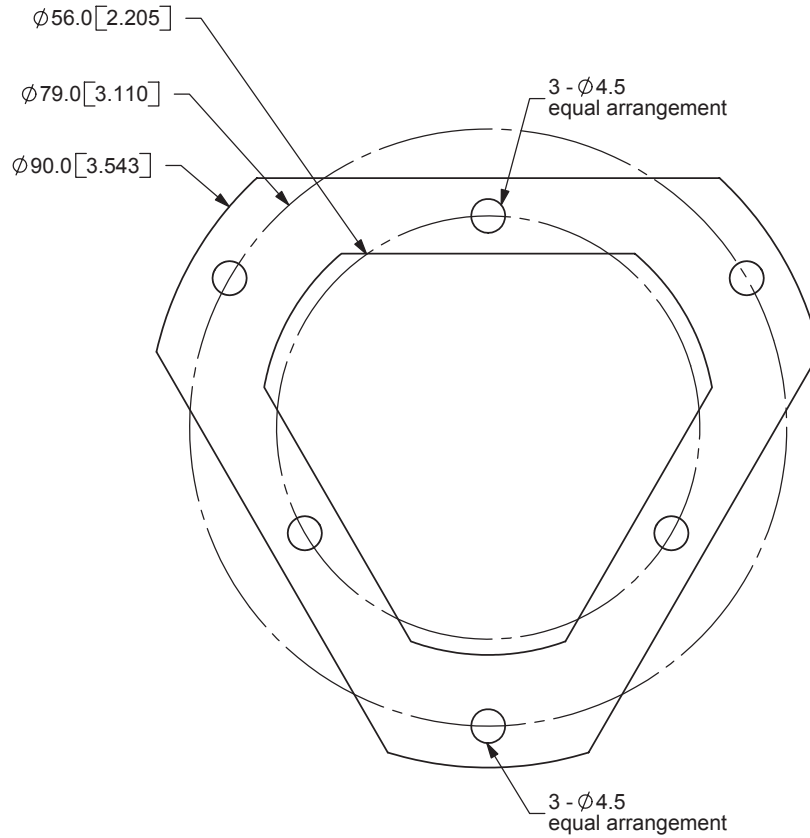


REV.	DESCRIPTION	DATE
A	NEW DRAWING	7/11/2008



TOLERANCE:  
±0.3mm UNLESS OTHERWISE  
SPECIFIED



20050 SW 112th Ave.  
Tualatin, OR 97062  
Phone: 503-612-2300  
800-275-4899  
Fax: 503-612-2383  
Website: www.cui.com

TITLE: spring flange		REV: A
PART NO. MEH50 spring flange	UNITS: MM [INCHES]	
DRAWN BY: JMS	APPROVED BY:	SCALE: 1:1

PC FILE NAME:  
MEH50 spring flange

COPYRIGHT 2008 BY CUI INC.