

**PART NUMBER:** MES20-2500PST**DESCRIPTION:** incremental encoder**ELECTRICAL SPECIFICATIONS**

output waveform	Square wave
output signals	A, B, Z phase
current consumption	≤40 mA
frequency response	Line driver 0~50KHz, voltage - open collector 0~100KHz
output phase difference	See output waveform
supply voltage	5 V dc ± 10% (line driver output only), 5 ~ 12 V dc ±10%
output resolution (ppr)	5000, 10000, 20000, 40000

MECHANICAL SPECIFICATIONS

max shaft load, radial:	14.7N (1.5kgf)
axial:	4.9N (0.5kgf)
starting torque	$2 \times 10^{-3} \text{ N}\cdot\text{m}$ (20 gf·cm)
max slewing speed	6000 RPM
shock resistance	500 m/s ² (50G), 3 times each on XYZ
vibration proof	55 Hz, double amplitude 1.5mm, 2 hours each on XYZ
weight	70g (with 1m cable)
cable	4.2mm outside diameter, 5 core vinyl wire insulated shield cable (1m)

ENVIRONMENTAL SPECIFICATIONS

operating temp	0° to +50° C
storage temp	-20° to +80° C
humidity	RH 35%~90% non collecting

ORDERING INSTRUCTIONS**MES20 - 2500PSTXX-XX**

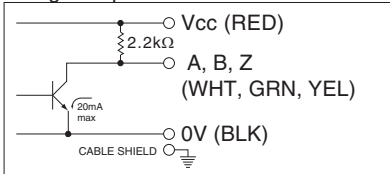
Resolution (PPR):	Output Circuit:	Input Voltage:
2 = 2500 X 2 (5,000 PPR)	"no entry" = TTL voltage output	1 = 5 V dc ±10%
4 = 2500 X 4 (10,000 PPR)	C = Open collector output	(line driver output only)
8 = 2500 X 8 (20,000 PPR)	E = Line driver output	3 = 5 ~ 12 V dc ±10%
16 = 2500 X 16 (40,000 PPR)		

PART NUMBER: MES20-2500PST

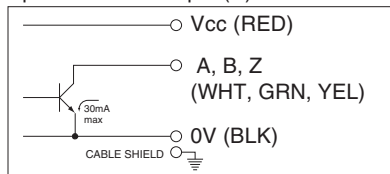
DESCRIPTION: incremental encoder

CIRCUIT CONNECTIONS

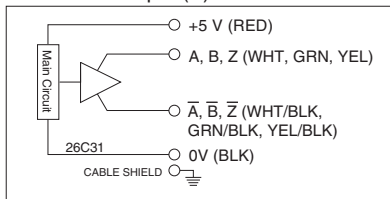
Voltage Output



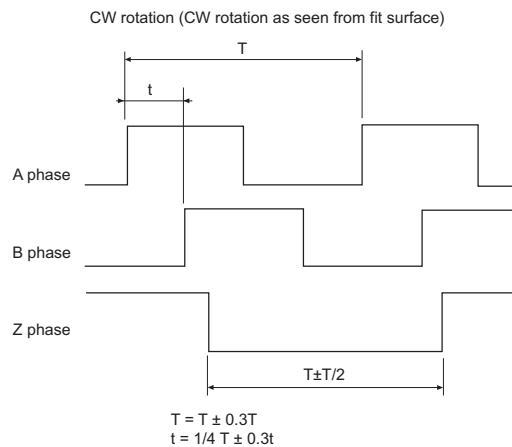
Open Collector Output (C)



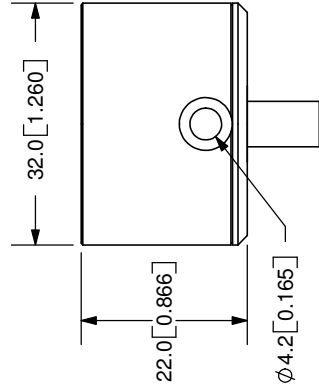
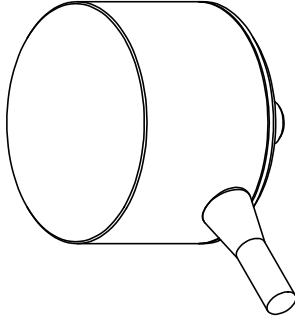
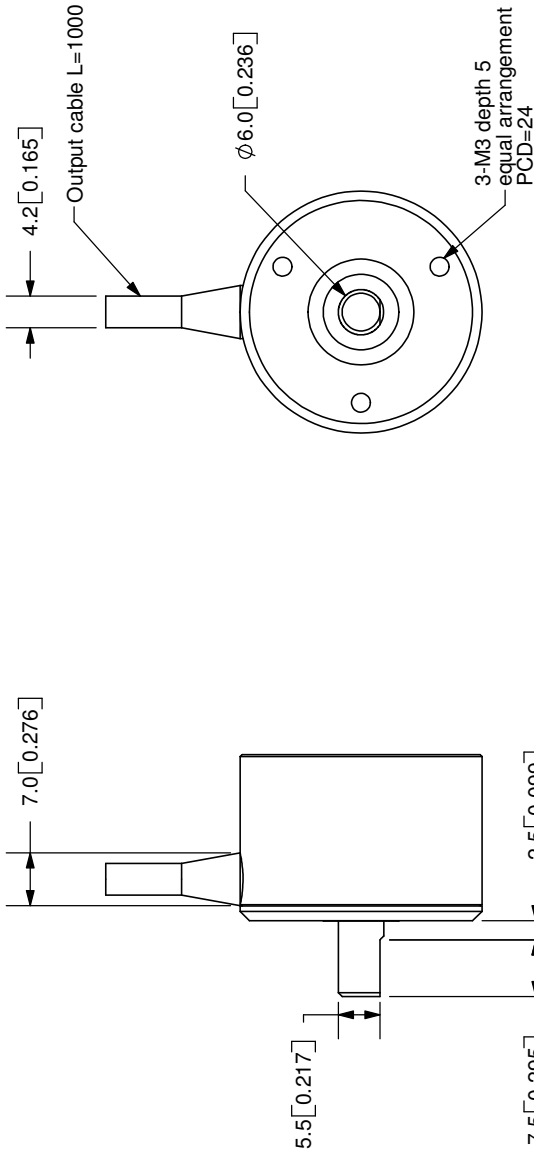
Line Driver Output (E)



OUTPUT WAVEFORM



REV.	DESCRIPTION	DATE
A	NEW DRAWING	7/27/2007



TOLERANCE:
±0.3mm UNLESS OTHERWISE
SPECIFIED



CUI INC

20050 SW 112th Ave.
Tualatin, OR 97062
Phone: 503-612-2300
800-275-4899
Fax: 503-612-2383
Website: www.cui.com

TITLE: Incremental Encoder REV: A

PART NO: MES20 UNITS: MM [INCHES]

DRAWN BY: JMS APPROVED BY: SCALE: 1:1

PC FILE NAME: MES20	COPYRIGHT 2007 BY CUI INC.	Cable Color	Red	White	Green	Yellow	Black	-	-	-	-
		Output Type	Power	A-Phase	B-Phase	Z-Phase	0V	-	-	-	-