

**PART NUMBER:** MES6**DESCRIPTION:** incremental encoder**ELECTRICAL SPECIFICATIONS**

output waveform	Square Wave
output signals	A, B, Z phase
current consumption	≤30 mA
frequency response	0~100 KHz
output phase difference	A, B phase difference 90° ± 45° (T/4±T/8) Z phase T±T/2 (see output waveform)
supply voltage	5 V dc ± 10%
output resolution (ppr)	32, 100, 120, 200, 300, 360, 500
waveform rise/fall time	2μ or less (output cable 300mm or less)

**MECHANICAL SPECIFICATIONS**

max shaft load, radial:	1.9N (200gf)
axial:	0.98N (100gf)
starting torque	0.3 x 10 <sup>-3</sup> N·m (3 gf·cm)
max rotational speed	6000 RPM
shock resistance	500 m/s <sup>2</sup> (50G), 3 times each on XYZ
vibration proof	55 Hz, double amplitude 1.5mm, 2 hours each on XYZ
weight	5g (with 300mm cable)
cable	Vinyl wire (AWG32) cable length 300mm

**ENVIRONMENTAL SPECIFICATIONS**

operating temp	0° to +60° C
storage temp	-20° to +80° C
humidity	RH 35%~90% non collecting

**ORDERING INSTRUCTIONS**MES6 - XXXPC

Resolution (ppr):

32 = 32 ppr

100 = 100 ppr

120 = 120 ppr

200 = 200 ppr

300 = 300 ppr

360 = 360 ppr

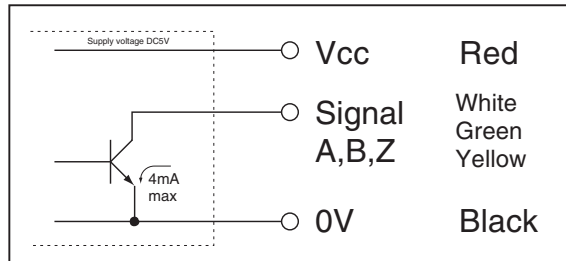
500 = 500 ppr

**PART NUMBER:** MES6

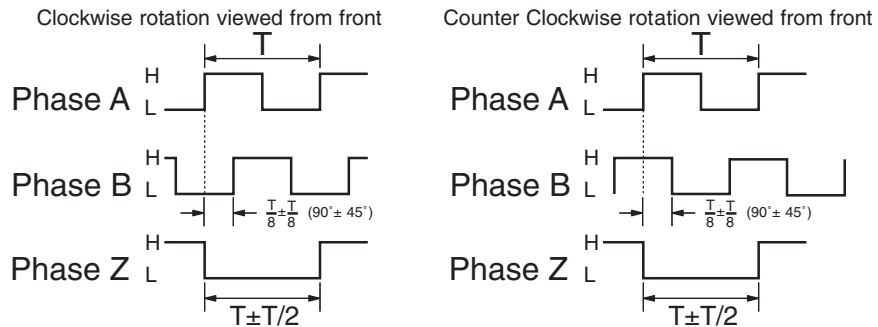
**DESCRIPTION:** incremental encoder

**CIRCUIT CONNECTIONS**

Open Collector Output

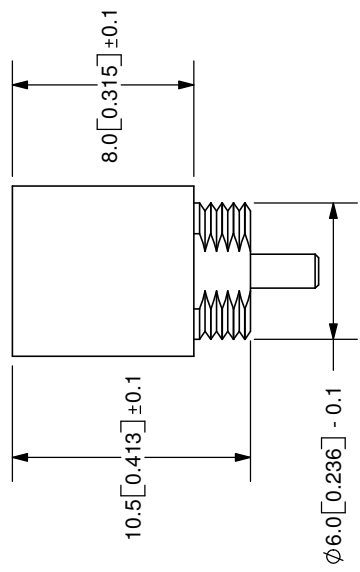
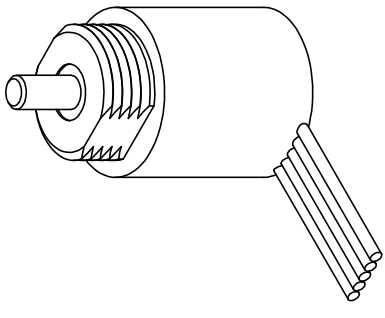
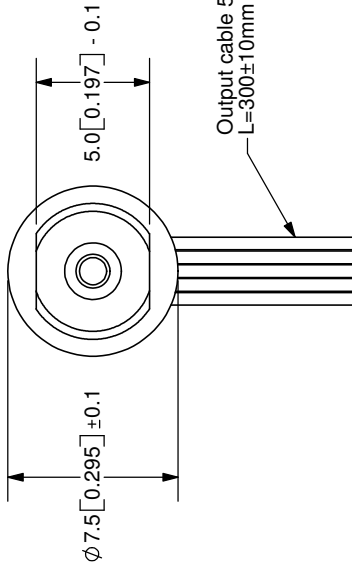
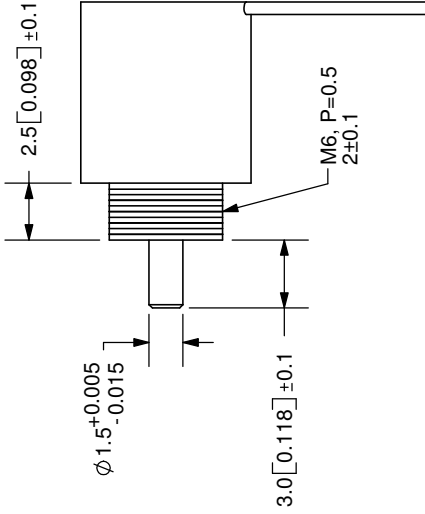


**OUTPUT WAVEFORM**



The position of Z phase against A, B phase is not specified

REV.	DESCRIPTION	DATE
A	NEW DRAWING	7/27/2007



TOLERANCE:  
±0.3mm UNLESS OTHERWISE  
SPECIFIED



20050 SW 112th Ave.  
Tualatin, OR 97062  
Phone: 503-612-2300  
800-275-4899  
Fax: 503-612-2383  
Website: www.cui.com

TITLE: Incremental Encoder	REV: A
PART NO: MES6	UNITS: MM [INCHES]
DRAWN BY: JMS	APPROVED BY:
	SCALE: 3:1

Cable Color	Red	White	Green	Yellow	Black			
Output Type	Power	A-Phase	B-Phase	Z-Phase	0V			

PC FILE NAME: MES6  
COPYRIGHT 2007 BY CUI INC.