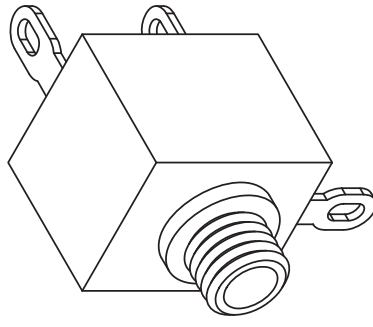
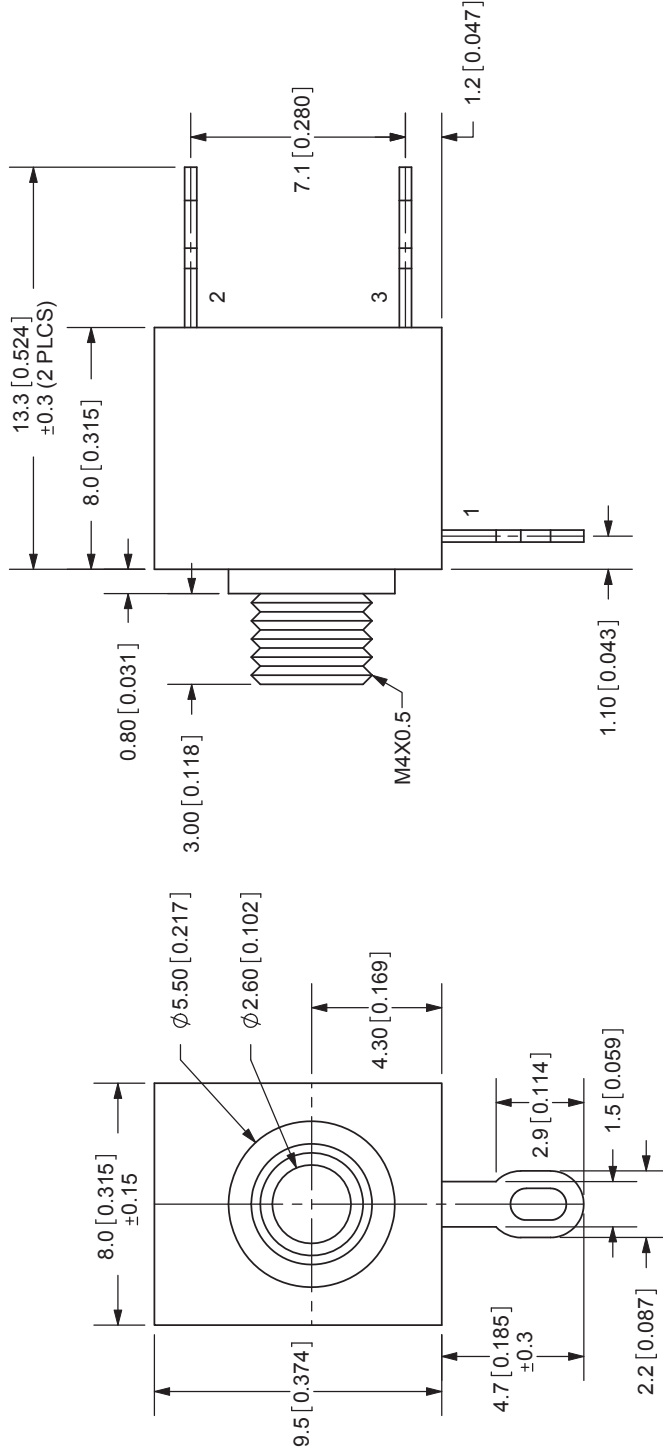



REV. A	DESCRIPTION NEW DRAWING	DATE 2/22/2008
-----------	----------------------------	-------------------



SCALE: 3:1



TOLERANCE:  
X.X ±0.2mm  
X.XX ±0.1mm  
X.XXX ±0.05mm



**CUI INC**

20050 SW 112th Ave.  
Tualatin, OR 97062  
Phone: 503-612-2300  
800-275-4899  
Fax: 503-612-2383  
Website: www.cui.com

REV: **A**

TITLE: 2.5mm AUDIO JACK-MONO

PART NO: MJ-2507

UNITS: MM [INCHES]

APPROVED BY: ZRJ

SCALE: 4:1

**SPECIFICATIONS:**  
 RATING: 12V DC @ 1A  
 CONTACT RESISTANCE: 30m OHMS MAX  
 INSULATION RESISTANCE: 50M OHMS MIN: 100V DC  
 VOLTAGE WITHSTAND: 500V AC R.M.S. FOR 1 MINUTE  
 LIFE: 5,000 CYCLES  
 OPERATING TEMP: -25° ~ +85°C

TERMINAL 1	MATERIAL	PLATING
TERMINAL 1	Brass	
TERMINAL 2	Copper Alloy	
TERMINAL 3	Brass	
BUSHING	Brass	
BODY	PBT	

MODEL NO.	MJ-2507
DIA.	THREADED M4X0.5
SCHEMATIC	