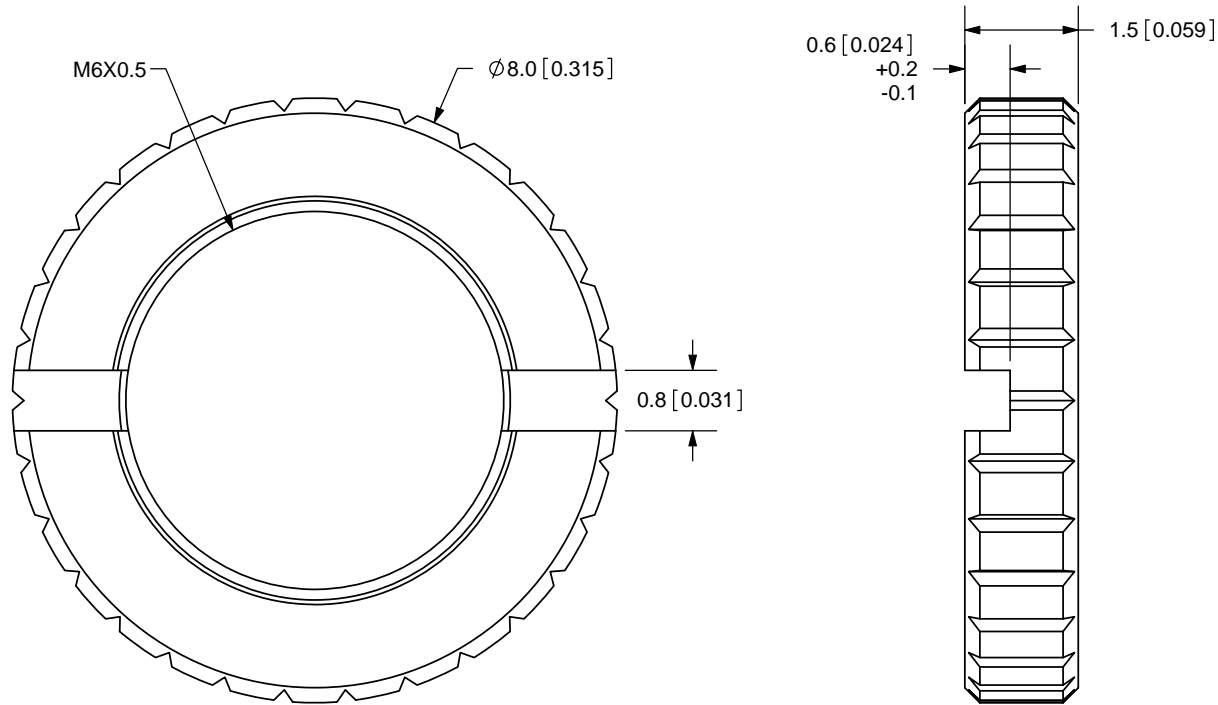


REV.	DESCRIPTION	DATE
A	NEW DRAWING	11/11/2009



TOLERANCE:
 $\pm 0.1\text{mm}$ UNLESS OTHERWISE
 SPECIFIED



CUI INC

20050 SW 112th Ave.
 Tualatin, OR 97062
 Phone: 503-612-2300
 800-275-4899
 Fax: 503-612-2383
 Website: www.cui.com

TITLE: M6X0.5 NUT		REV: A
PART NO. MJ-3502-nut		UNITS: MM [INCHES]
DRAWN BY: ZRJ	APPROVED BY:	SCALE: 10:1

PC FILE NAME:
 MJ-3502-nut

COPYRIGHT 2009
 BY CUI INC.

	MATERIAL	PLATING	COLOR
NUT	Brass	Nickel	Silver