

**SERIES:** MJ-3536NG | **DESCRIPTION:** MID MOUNT POWER JACK

**FEATURES**

- isolated ground pin
- internal tip switch


**SPECIFICATIONS**

parameter	conditions/description	min	typ	max	units
rated input voltage			12		Vdc
rated input current				1	A
contact resistance	between terminal and mating plug after life test, between terminal and mating plug between terminal in a closed circuit <sup>1</sup> after life test, between terminal in a closed circuit <sup>1</sup>			50 100 30 60	mΩ mΩ mΩ mΩ
insulation resistance	at 500 Vdc at 500 Vdc, after environmental tests	100 50			MΩ MΩ
voltage withstand	at 50/60Hz for 1 minute			500	Vac
insertion/withdrawl force	after life test	0.3 0.2		3 2	kg kg
terminal strength	any direction for 10 seconds			500	g
operating temperature		-25		85	°C

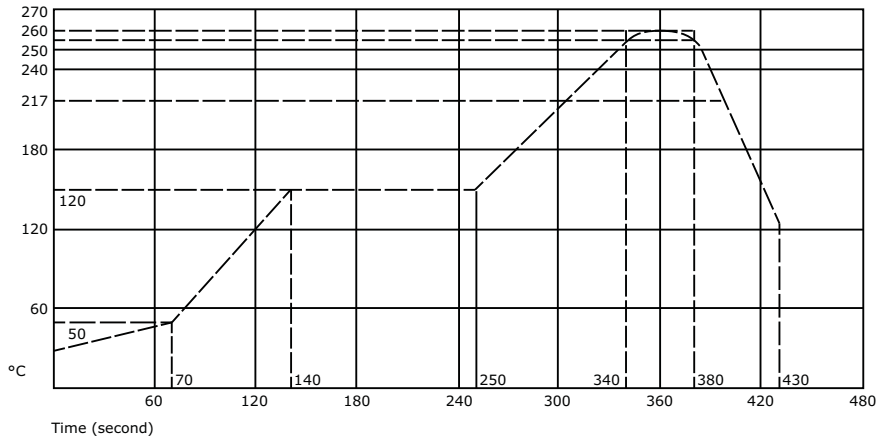
Notes: 1. When measured at a current of less than 100 mA / 1 kHz

**TESTING**

parameter	conditions/description	min	typ	max	units
solderability	95% solder coverage on lead, neutral flux, 2 sec.	235	240	245	°C
reflow soldering	see graph				
life	at 24 insertion/withdrawl cycles per minute		5,000		cycles
heat	the relative test before and after testing should comply with the Insulation Resistance section	83	85 96	87 50	°C %RH hours
cold	the relative test before and after testing should comply with the Insulation Resistance section	-33	-35 96	-37	°C hours
humidity	the relative test before and after testing should comply with the Insulation Resistance section	38	40 96	42	°C hours %RH
		90		95	

Notes: All measurements and test shall be made at a temperature 10°C to 35°C with a relative humidity of 45% RH to 85% RH under the standard atmospheric pressure unless otherwise specified.

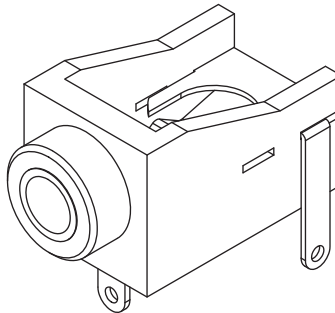
## REFLOW SOLDERING



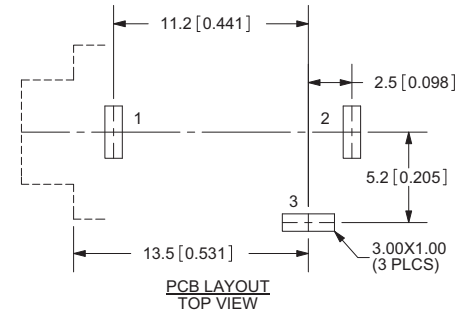
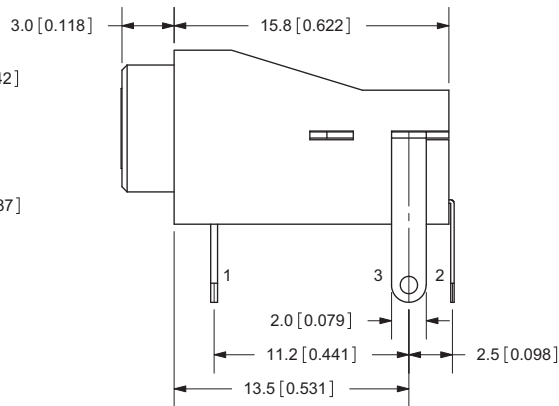
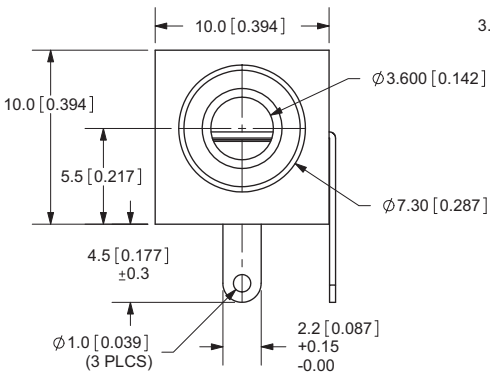
## MECHANICAL DRAWING

units: mm[inches]  
 tolerance:  
 X.X ±0.2mm  
 X.XX ±0.1mm  
 X.XXX ±0.05mm

MODEL NO.	MJ-3536NG
SCHEMATIC	



	MATERIAL	PLATING
plastic	PBT	
bushing	brass	nickel
terminal 1	brass	Tin
terminal 2	copper alloy	Tin
terminal 3	brass	Tin



## REVISION HISTORY

---

rev.	description	date
1.0	initial release	07/29/2011

The revision history provided is for informational purposes only and is believed to be accurate.



**Headquarters**  
20050 SW 112th Ave.  
Tualatin, OR 97062  
**800.275.4899**

Fax 503.612.2383  
**cui.com**  
techsupport@cui.com

CUI offers a one (1) year limited warranty. Complete warranty information is listed on our website.

CUI reserves the right to make changes to the product at any time without notice. Information provided by CUI is believed to be accurate and reliable. However, no responsibility is assumed by CUI for its use, nor for any infringements of patents or other rights of third parties which may result from its use.

CUI products are not authorized or warranted for use as critical components in equipment that requires an extremely high level of reliability. A critical component is any component of a life support device or system whose failure to perform can be reasonably expected to cause the failure of the life support device or system, or to affect its safety or effectiveness.