

**PART NUMBER:** NSC-XXXX-2MD-RES**DESCRIPTION:** incremental shaft type encoder**ELECTRICAL SPECIFICATIONS**

output waveform		square wave
output signals		A, B, Z phase, inverse A, B, Z phase
current consumption		≤150 mA
frequency response		≤150 kHz
supply voltage		5 V dc ± 5%
sink current		≤20 mA
output voltage	"H"	2.5 V min.
	"L"	0.5 V max.
output resolution (ppr)		1024, 1500
waveform rise/fall time		200 ns max.

MECHANICAL SPECIFICATIONS

max shaft load,	radial:	1.0 kgf
	axial:	0.5 kgf
starting torque		10 gf·cm max.
angular acceleration		1x10 ⁵ rad/s ²
moment of inertia		2.0 g·cm ²
max rotational speed		6000 RPM
shock resistance		50 G, 11 ms, 3 times each on XYZ
vibration proof		10 ~ 50 Hz, double amplitude 1.5 mm, 2 hours
rotational life		1x10 ⁸ rpm·hrs

ENVIRONMENTAL SPECIFICATIONS

operating temp	-10° to +60° C
storage temp	-30° to +80° C
humidity	RH 85% max., non-collecting

ELECTRICAL CONNECTIONS

2MD	Color of Lead Wire	Description	Color of Lead Wire	Description
	Red	Power Source	White	Signal B ₋
	Black	0V Common	Gray	Signal B ₊
	Green	Signal A ₋	Yellow	Signal Z ₋
	Blue	Signal A ₊	Orange	Signal Z ₊
	Shielding Braid	NC		

PART NUMBER: NSC-XXXX-2MD-RES

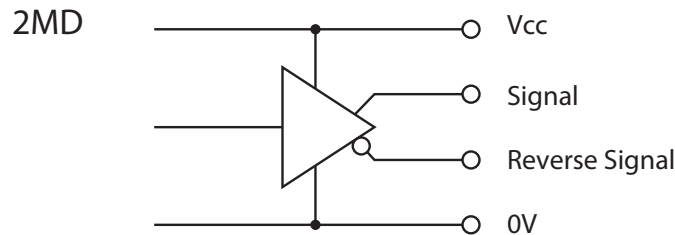
DESCRIPTION: incremental shaft type encoder

ORDERING INSTRUCTIONS

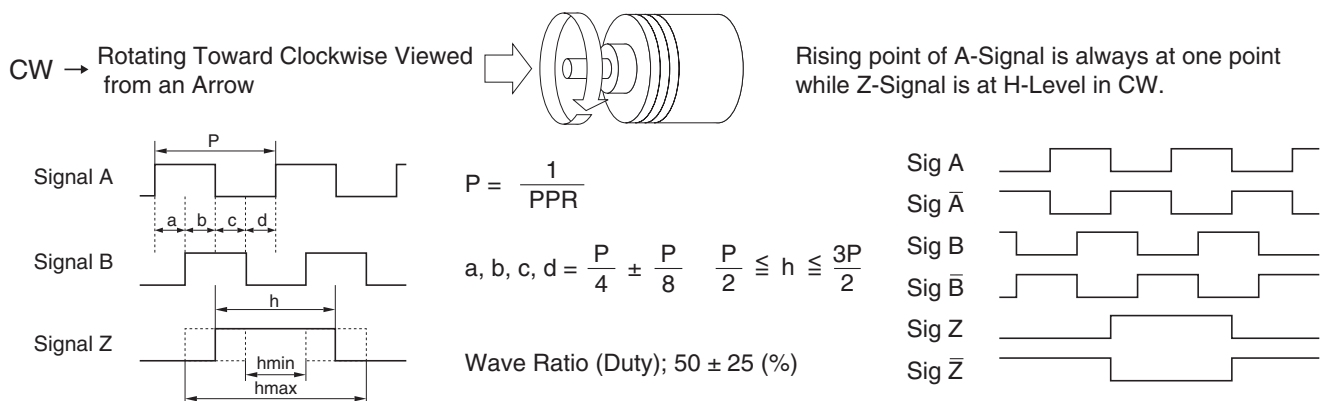
NSC-XXXX-2MD-RES

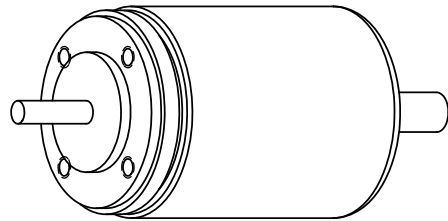
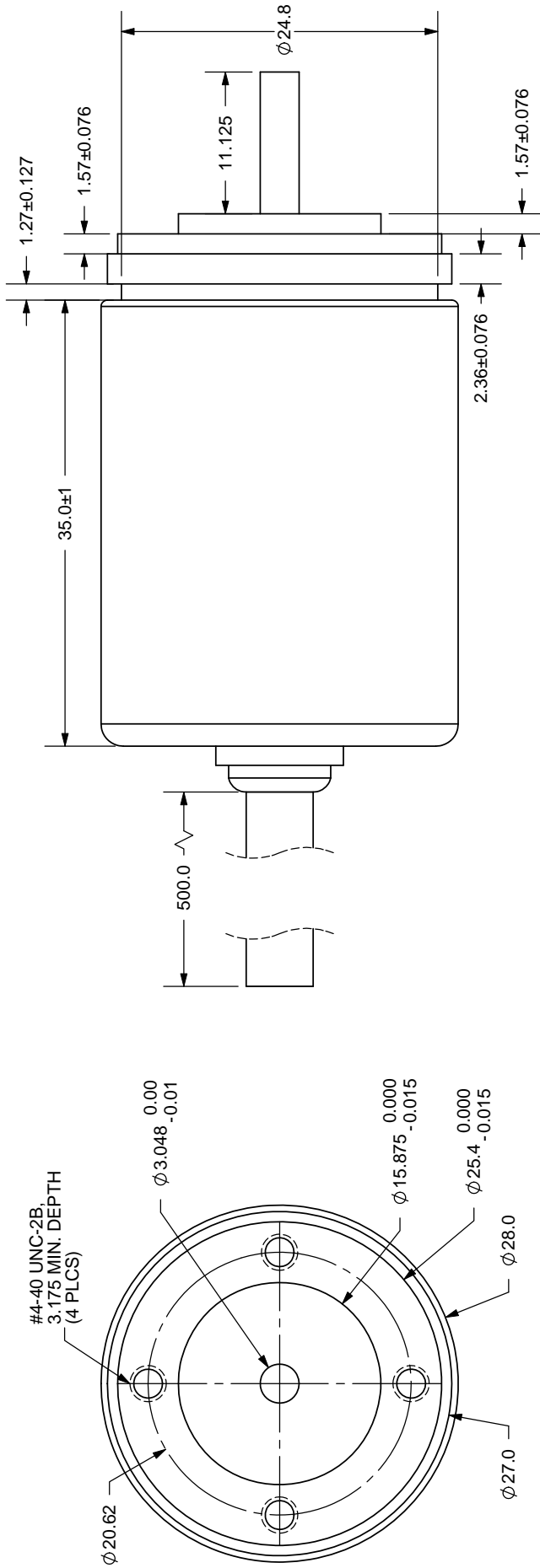
Resolution:
1024 = 1024 PPR
15 = 1500 PPR

CIRCUIT CONNECTIONS



OUTPUT WAVEFORM





TOLERANCE:
±0.3mm UNLESS OTHERWISE
SPECIFIED



CUI INC

20050 SW 112th Ave.
Tualatin, OR 97062
Phone: 503-612-2300
800-275-4899
Fax: 503-612-2383
Website: www.cui.com

TITLE: Incremental Encoder	REV: A
PART NO: NSC-XXXX-2MD-RES	UNITS: MM [INCHES]
DRAWN BY: JMS	APPROVED BY:
	SCALE: 2:1