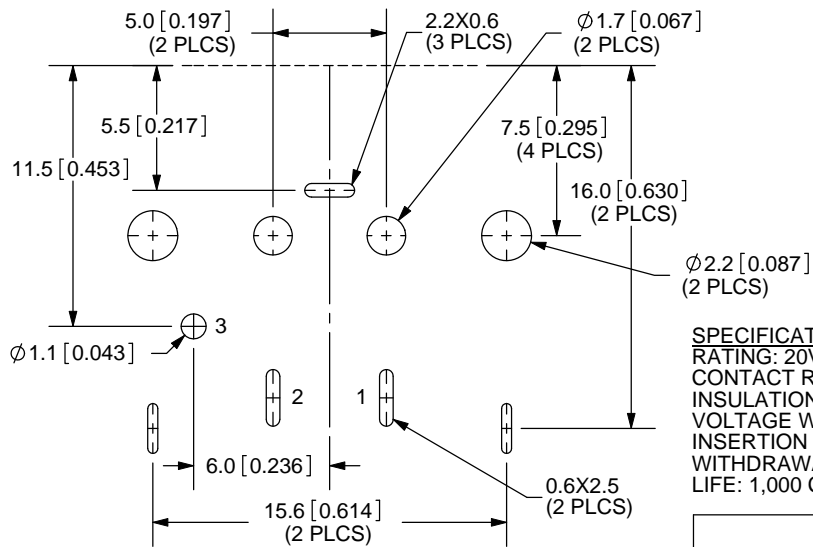
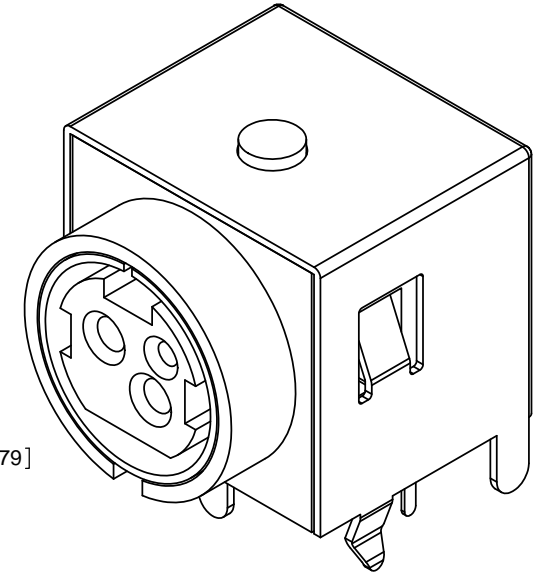
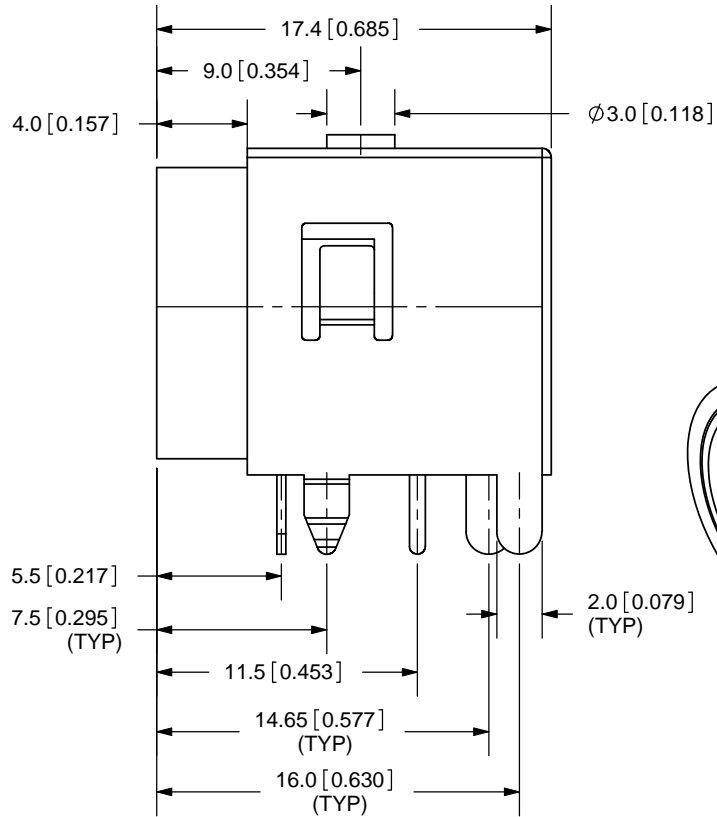
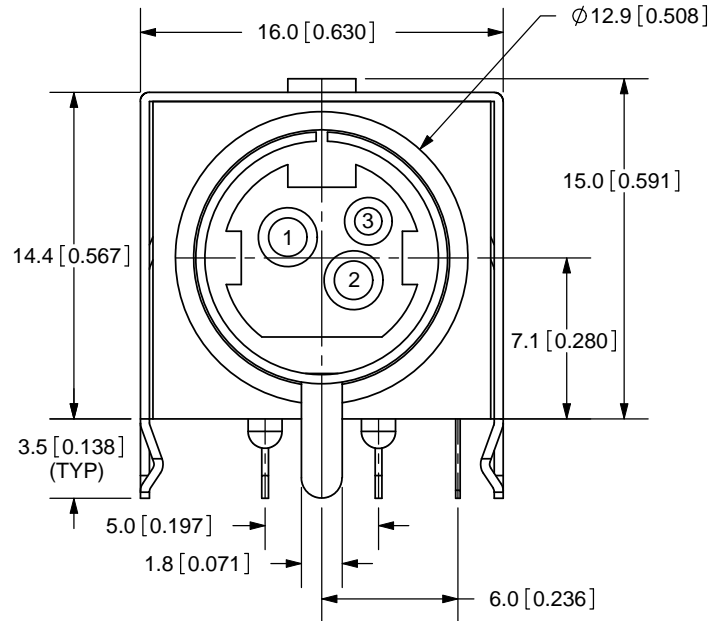


| REV. | DESCRIPTION | DATE |
|------|---------------------|------------|
| A | NEW DRAWING | 11/19/2008 |
| B | update to tolerance | 9/8/2009 |



PCB LAYOUT
TOP VIEW

SPECIFICATIONS:
 RATING: 20V DC @ 7.5A
 CONTACT RESISTANCE: 30m OHMS MAX
 INSULATION RESISTANCE: 50M OHMS MIN: 250V DC
 VOLTAGE WITHSTAND: 250V AC R.M.S. FOR 1 MINUTE
 INSERTION FORCE: 6.0KG MAX
 WITHDRAWAL FORCE: 0.5 - 6.0KG
 LIFE: 1,000 CYCLES

| | MATERIAL | PLATING |
|----------------|-----------------|---------|
| TERMINAL 1 | Phosphor Bronze | Tin |
| TERMINALS 2-3 | Brass | Tin |
| EARTH TERMINAL | Brass | Tin |
| SHIELD | Steel | Tin |
| HOUSING | PBT | |

TOLERANCE:
 ±0.2mm UNLESS OTHERWISE
 SPECIFIED



20050 SW 112th Ave.
 Tualatin, OR 97062
 Phone: 503-612-2300
 800-275-4899
 Fax: 503-612-2383
 Website: www.cui.com

| | | |
|-------------------------------------------------------------|--------------------|------------|
| TITLE: 3-PIN POWER DIN JACK, RIGHT ANGLE, WITH SHIELDING | | REV: B |
| PART NO. PD-30S | UNITS: MM [INCHES] | |
| DRAWN BY: ZRJ | APPROVED BY: | SCALE: 3:1 |

PC FILE NAME:
 PD-30S

COPYRIGHT 2008 BY CUI INC.