

**MODEL: PD-40S | DESCRIPTION: POWER DIN**
**FEATURES**

- 4-pin power DIN
- through hole power jack
- shielded
- suitable for high power applications


**SPECIFICATIONS**

parameter	conditions/description	min	typ	max	units
rated input voltage			20		Vdc
rated input current				7.5	A
contact resistance <sup>1</sup>				30	mΩ
insulation resistance	at 250 Vdc	50			MΩ
voltage withstand	for 1 minute			250	Vac
insertion force				6.0	kg
withdrawal force		0.5		6.0	kg
operating temperature		-40		85	°C
life	at a rate of 10~20 cycles/minute		1,000		cycles
flammability rating	UL94V-0				
RoHS	2011/65/EU				

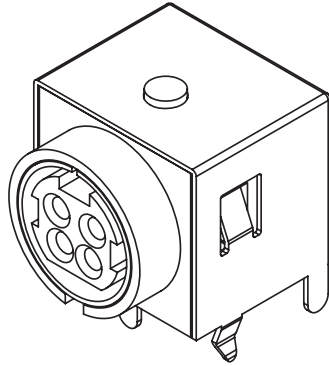
Note: 1. When measured at a current of less than 20 mA/1 kHz

**SOLDERABILITY**

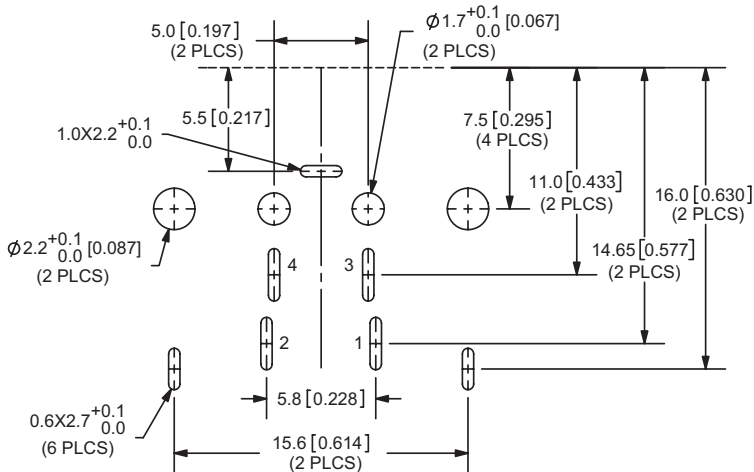
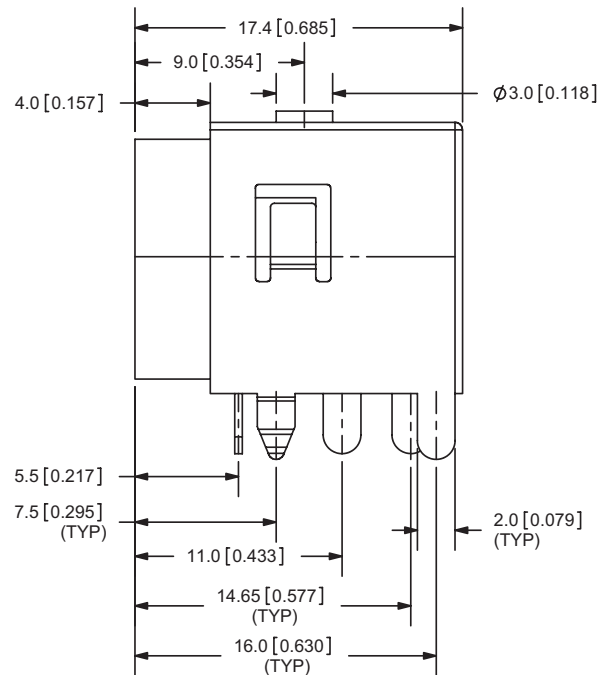
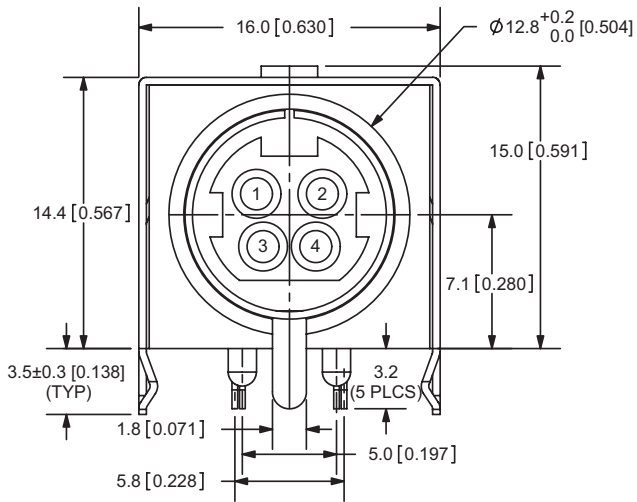
parameter	conditions/description	min	typ	max	units
hand soldering	for 3 ± 1 seconds	300		350	°C
wave soldering	for 2~5 seconds	245	255	265	°C

## MECHANICAL DRAWING

units: mm  
 tolerance:  
 X.X ±0.2 mm  
 PCB: ±0.1 mm



	MATERIAL	PLATING
terminal 1	brass	tin
terminal 2	brass	tin
terminal 3	brass	tin
terminal 4	brass	tin
earth terminal	brass	tin
shield	steel	tin
plastic	PBT	



Recommended PCB Layout  
 Top View

## REVISION HISTORY

---

rev.	description	date
1.0	initial release	11/19/2008
1.01	update to title and tolerance	09/08/2009
1.02	updated datasheet	01/11/2018

The revision history provided is for informational purposes only and is believed to be accurate.



**CUI INC**<sup>®</sup>

**Headquarters**  
20050 SW 112th Ave.  
Tualatin, OR 97062  
**800.275.4899**

Fax 503.612.2383  
**cui.com**  
techsupport@cui.com

CUI offers a one (1) year limited warranty. Complete warranty information is listed on our website.

CUI reserves the right to make changes to the product at any time without notice. Information provided by CUI is believed to be accurate and reliable. However, no responsibility is assumed by CUI for its use, nor for any infringements of patents or other rights of third parties which may result from its use.

CUI products are not authorized or warranted for use as critical components in equipment that requires an extremely high level of reliability. A critical component is any component of a life support device or system whose failure to perform can be reasonably expected to cause the failure of the life support device or system, or to affect its safety or effectiveness.