

MODEL: CBL-UA-BC-1 | **DESCRIPTION:** USB CABLE

FEATURES

- USB 2.0
- type A male to blunt cut
- 1 meter
- PVC jacket


SPECIFICATIONS

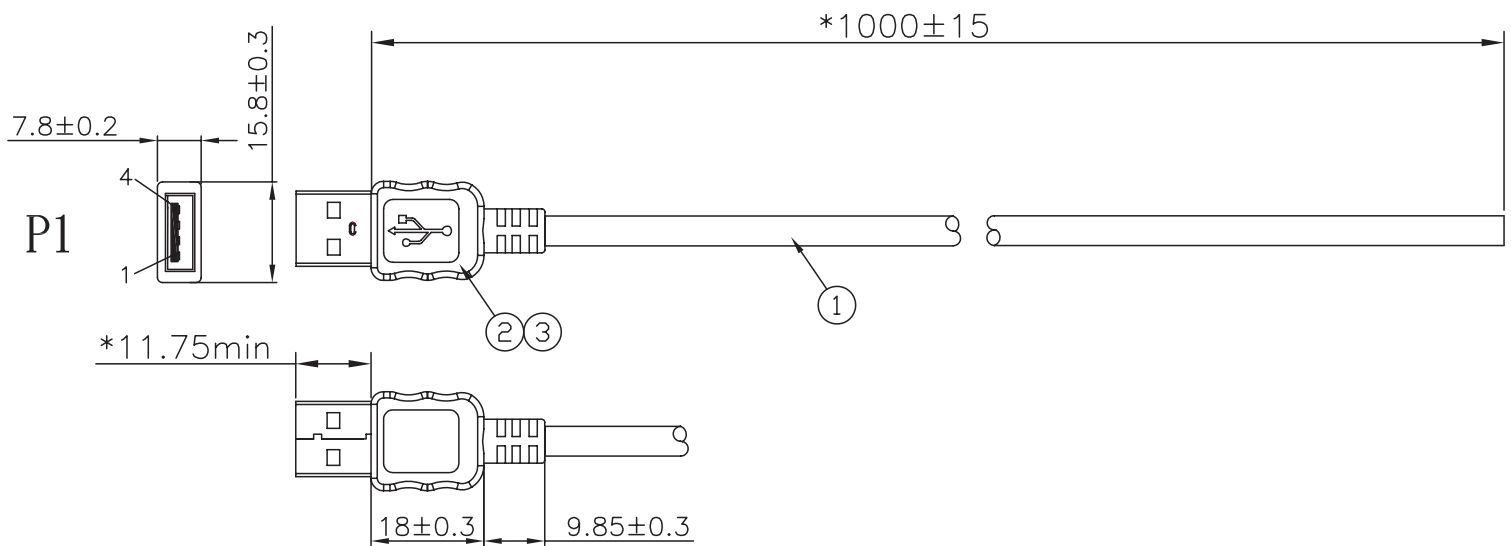
| parameter | conditions/description | min | typ | max | units |
|-----------------------|------------------------|-----|-----|-----|--------------|
| rated voltage | | | 20 | | Vdc |
| rated current | | | | 1 | A |
| conductor resistance | | | | 5 | Ω |
| insulation resistance | at 300 Vdc | 10 | | | M Ω |
| operating temperature | | -20 | | 80 | $^{\circ}$ C |
| storage temperature | | -20 | | 80 | $^{\circ}$ C |
| flammability rating | UL94V-0 | | | | |
| RoHS | yes | | | | |

MECHANICAL DRAWING

units: mm
 tolerance:
 X.X ±0.5 mm
 X.XX ±0.3 mm
 X.XXX ±0.1 mm
 unless otherwise noted

critical dimension: *

| ITEM | DESCRIPTION | MATERIAL | PLATING/COLOR |
|------|-------------|-------------------------------|--|
| 1 | cable | UL 2725 OD: 4.7±0.2 mm PVC | black |
| 2 | connector 1 | USB 2.0 Type A | insulator: white shell: nickel term.: gold flash |
| 3 | over mold | PVC 45P | black |



WIRE LIST

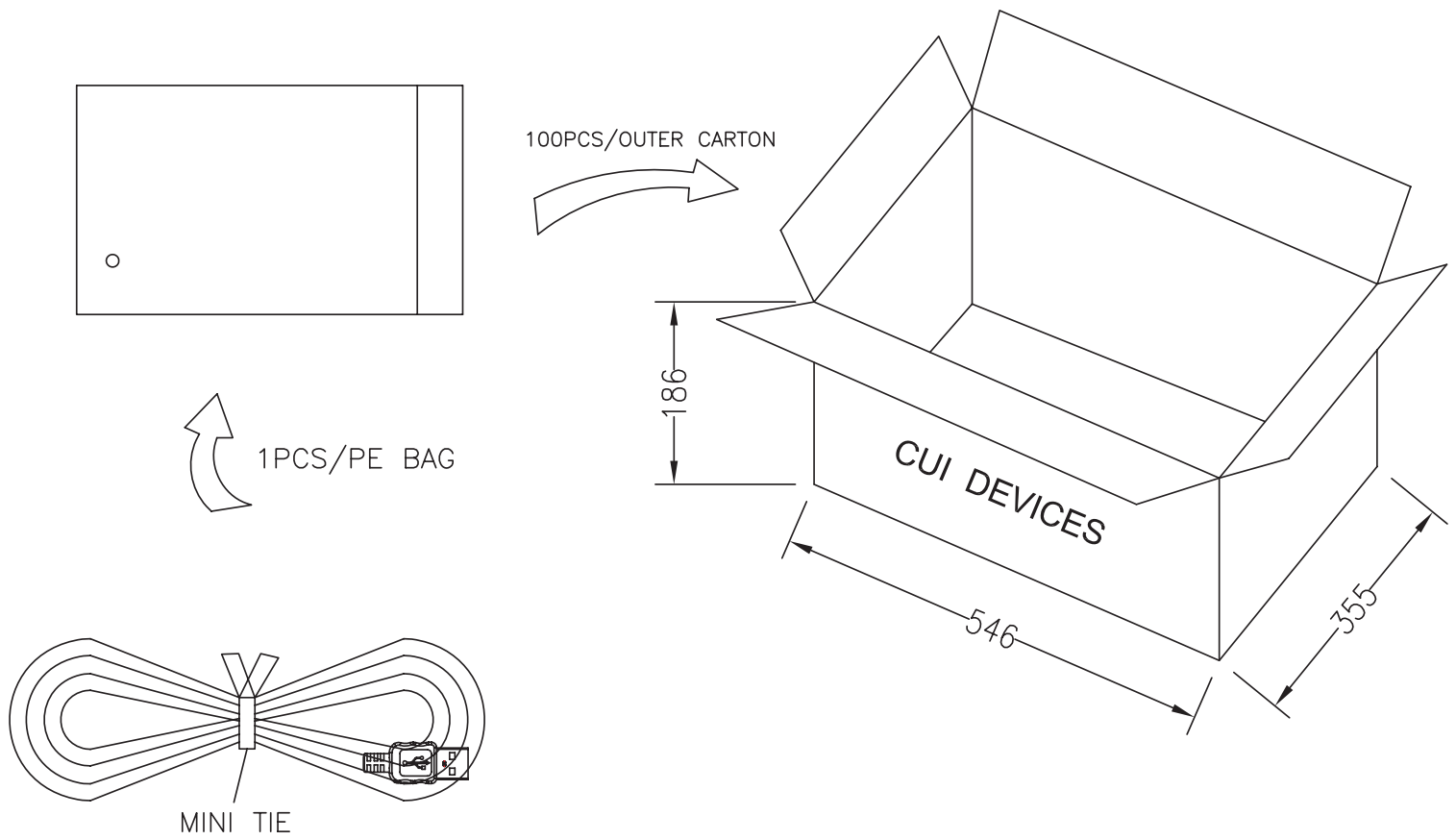
| P1 | | P2 |
|-------|-------------|------|
| 1 | RED | OPEN |
| 2 | WHITE | OPEN |
| 3 | GREEN | OPEN |
| 4 | BLACK | OPEN |
| SHELL | DRAIN+BRAID | OPEN |

PACKAGING

units: mm

Carton Size: 546 x 355 x 186 mm

Carton QTY: 100 pcs



REVISION HISTORY

| rev. | description | date |
|------|----------------------------------|------------|
| 1.0 | initial release | 12/21/2018 |
| 1.01 | brand update | 02/17/2020 |
| 1.02 | update drawing | 08/25/2020 |
| 1.03 | modified design, changed factory | 01/27/2022 |
| 1.04 | logo, datasheet style update | 08/05/2022 |

The revision history provided is for informational purposes only and is believed to be accurate.



CUI Devices offers a one (1) year limited warranty. Complete warranty information is listed on our website.

CUI Devices reserves the right to make changes to the product at any time without notice. Information provided by CUI Devices is believed to be accurate and reliable. However, no responsibility is assumed by CUI Devices for its use, nor for any infringements of patents or other rights of third parties which may result from its use.

CUI Devices products are not authorized or warranted for use as critical components in equipment that requires an extremely high level of reliability. A critical component is any component of a life support device or system whose failure to perform can be reasonably expected to cause the failure of the life support device or system, or to affect its safety or effectiveness.

cuidevices.com