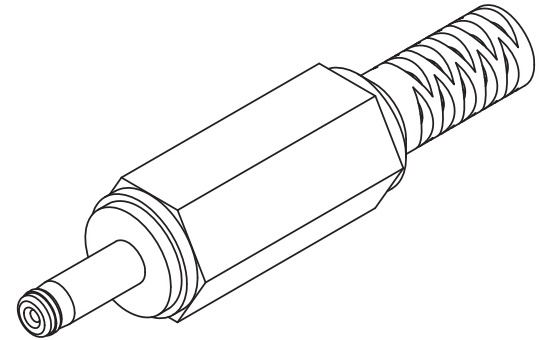
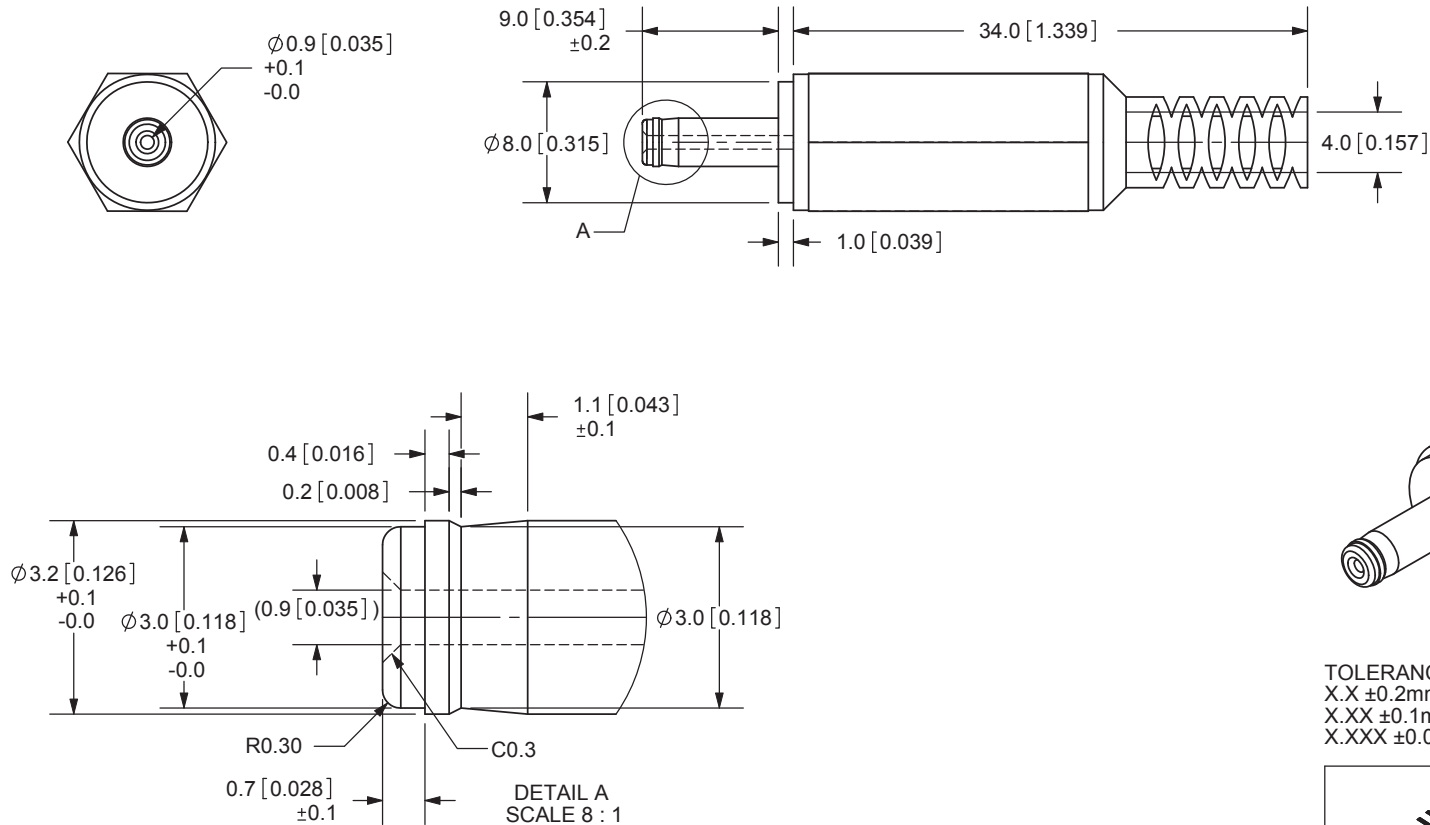


REV.	DESCRIPTION	DATE
A	NEW DRAWING	3/29/2007



TOLERANCE:  
 X.X  $\pm 0.2$ mm  
 X.XX  $\pm 0.1$ mm  
 X.XXX  $\pm 0.05$ mm



**SPECIFICATIONS:**  
 RATING: 16V DC @ 4A  
 INSULATION RESISTANCE: 100M OHMS MIN: 500V DC  
 VOLTAGE WITHSTAND: 500V AC R.M.S. FOR 1 MINUTE  
 LIFE: 5,000 CYCLES  
 OPERATING TEMP: 0° ~ +40°C



**CUI INC**

20050 SW 112th Ave.  
 Tualatin, OR 97062  
 Phone: 503-612-2300  
 800-275-4899  
 Fax: 503-612-2383  
 Website: www.cui.com

	MATERIAL	PLATING
COVER	PVC	Black Color
PIN	Brass	Nickel
BARREL	Brass	Nickel
TERMINALS	Brass	Nickel
TIP INSULATOR	POM	Black Color

TITLE: DC POWER PLUG	REV: A
PART NO. PP-017	UNITS: MM [INCHES]
DRAWN BY: ZRJ	APPROVED BY:
	SCALE: 2:1

PC FILE NAME:  
 PP-017

COPYRIGHT 2009 BY CUI INC.