

**MODEL:** PPM-3-3511-SG | **DESCRIPTION:** DC POWER PLUG

**FEATURES**

- designed for over-molding
- spring contacts
- barrel groove
- 5A current rating

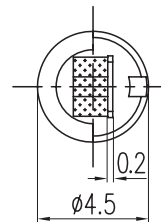
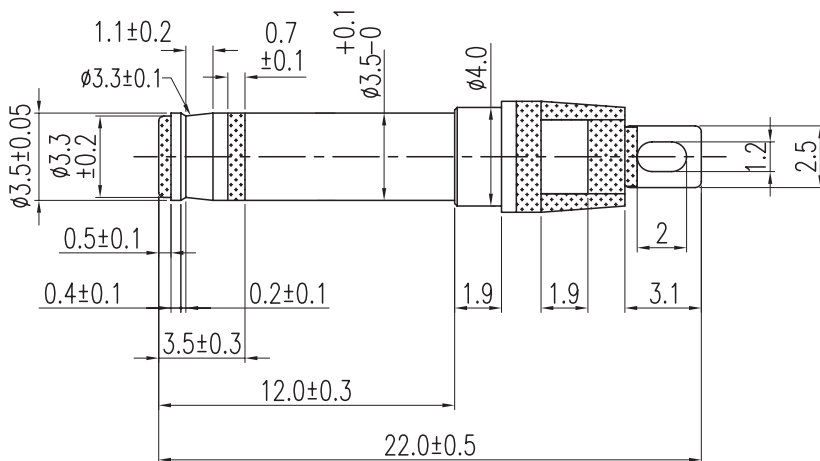


**SPECIFICATIONS**

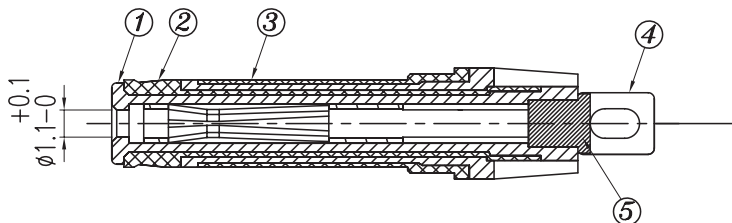
parameter	conditions/description	min	typ	max	units
rated voltage				24	Vdc
rated current	at 30°C max. ΔT above ambient, center contact			5	A
	at 30°C max. ΔT above ambient, sleeve contact			5	A
	at 30°C max. ΔT above ambient, ring contact			1	A
contact resistance				30	mΩ
insulation resistance	at 500 Vdc	100			MΩ
voltage withstand	for 1 minute			500	Vac
operating temperature		-25		70	°C
operating humidity				85	%RH
RoHS compliant	yes				

**MECHANICAL DRAWING**

units: mm  
tolerance: ±0.2 mm (unless otherwise noted)



	DESCRIPTION	MATERIAL	PLATING
1	insulator	POM	
2	ring	brass	nickel
3	sleeve	brass	nickel
4	center contact	phosphor bronze	nickel
5	spacer	POM	



## REVISION HISTORY

---

<b>rev.</b>	<b>description</b>	<b>date</b>
1.0	initial release	01/14/2013

The revision history provided is for informational purposes only and is believed to be accurate.



**Headquarters**  
20050 SW 112th Ave.  
Tualatin, OR 97062  
**800.275.4899**

Fax 503.612.2383  
**cui.com**  
techsupport@cui.com

CUI offers a one (1) year limited warranty. Complete warranty information is listed on our website.

CUI reserves the right to make changes to the product at any time without notice. Information provided by CUI is believed to be accurate and reliable. However, no responsibility is assumed by CUI for its use, nor for any infringements of patents or other rights of third parties which may result from its use.

CUI products are not authorized or warranted for use as critical components in equipment that requires an extremely high level of reliability. A critical component is any component of a life support device or system whose failure to perform can be reasonably expected to cause the failure of the life support device or system, or to affect its safety or effectiveness.