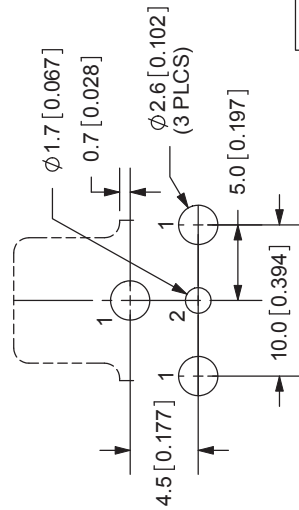
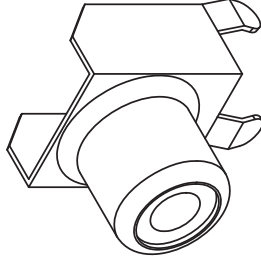
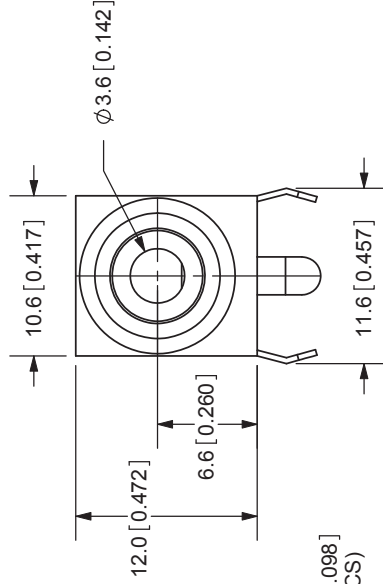
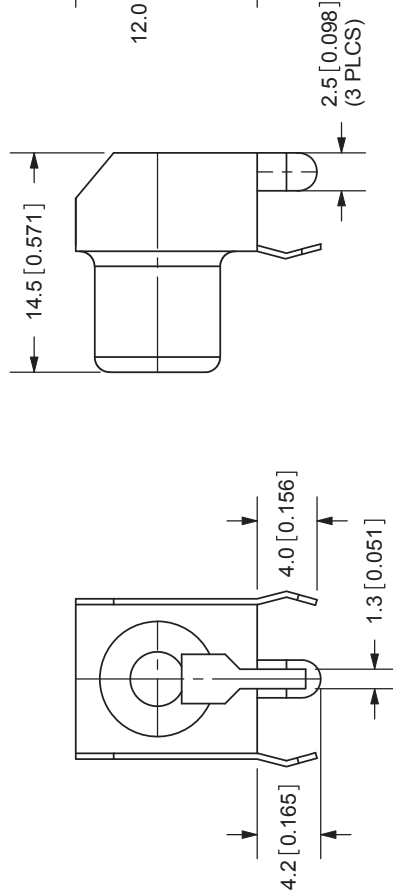
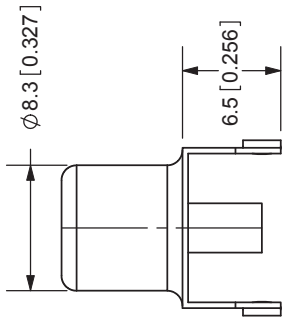


| REV. | DESCRIPTION     | DATE      |
|------|-----------------|-----------|
| A    | NEW DRAWING     | 6/4/2007  |
| B    | added shell cut | 1/30/2008 |



PCB LAYOUT  
TOPVIEW

|           |         |
|-----------|---------|
| MODEL NO. | RCJ-01X |
| SCHEMATIC |         |

TOLERANCE:  
±0.3mm UNLESS OTHERWISE  
SPECIFIED



20050 SW 112th Ave.  
Tualatin, OR 97062  
Phone: 503-612-2300  
800-275-4899  
Fax: 503-612-2383  
Website: www.cui.com

| COLOR INDEX |        |
|-------------|--------|
| PART NO.    | COLOR  |
| RCJ-011     | Black  |
| RCJ-012     | Red    |
| RCJ-013     | White  |
| RCJ-014     | Yellow |
| RCJ-015     | Blue   |
| RCJ-016     | Green  |
| RCJ-017     | Orange |

**SPECIFICATIONS:**  
CONTACT RESISTANCE: 30m OHMS MAX  
INSULATION RESISTANCE: 50M OHMS MIN: 500V DC  
VOLTAGE WITHSTAND: 500V AC R.M.S. FOR 1 MINUTE  
LIFE: 5,000 CYCLES  
OPERATING TEMP: -20° ~ +85°C

| MATERIAL | PLATING         |
|----------|-----------------|
| Steel    | Tin             |
| Brass    | Tin             |
| Bakelite | see color index |
| PBT      | see color index |

|           |   |              |             |
|-----------|---|--------------|-------------|
| TITLE:    | RCA Jack, Metal, Right Angle, PCB Mount | REV:         | B           |
| PART NO:  | RCJ-01X                                 | UNITS:       | MM [INCHES] |
| DRAWN BY: | ZRJ                                     | APPROVED BY: |             |
| SCALE:    |   |              | 2:1         |