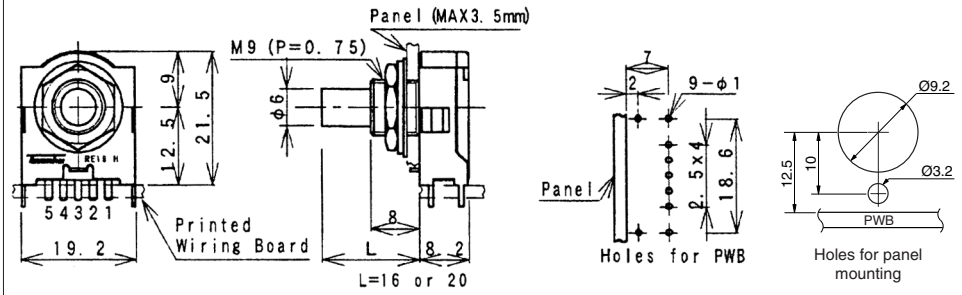
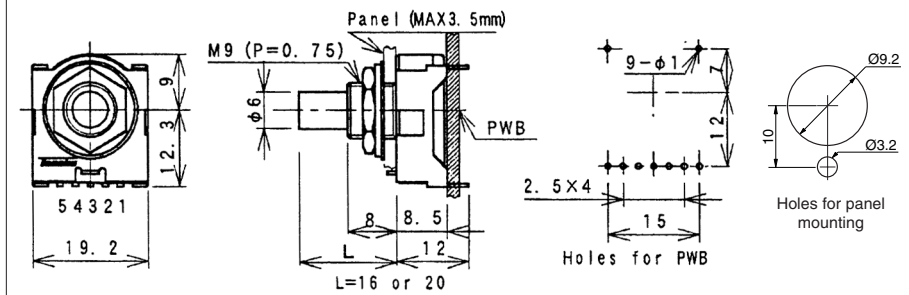


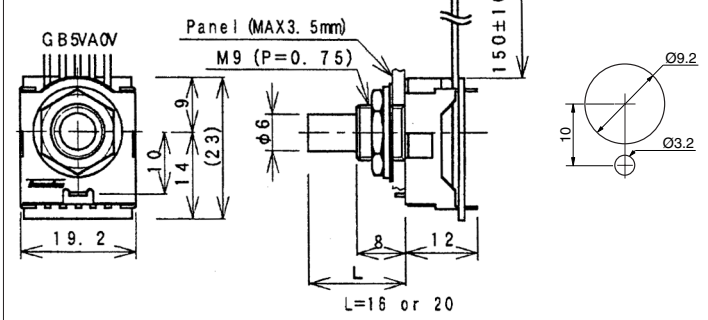
RE19H



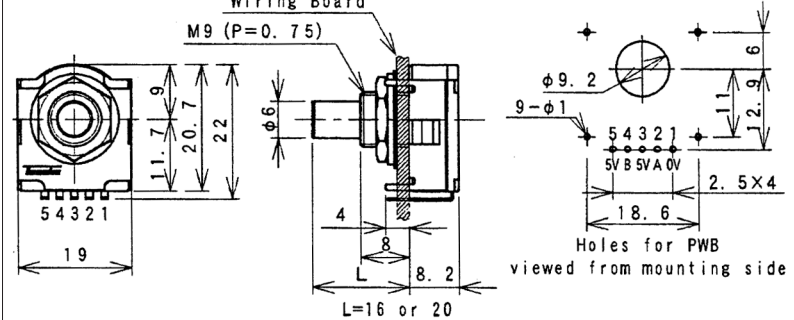
RE19V



RE19C



RE19F



Connections

Number	Functions
5*	5V +5V Powersupply
4	B B Phase output
3*	5V +5V Powersupply
2	A A Phase output
1	0V 0V Common Return
G	Frame Ground/Earth

*Please connect terminals 3 and 5 to 5V power supply.

SPECIFICATIONS

ELECTRICAL

- Input Power: 5.0 VDC ±10% @ 20mA
- Output Voltage: H = Vcc- 0.5V
L ≤ 0.4V
- Resolution: 25/50 PPR
- Output Type: TTL Compatible
- Max. Freq. Response: 500 Hz

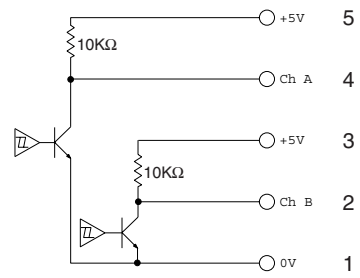
MECHANICAL

- Max Shaft Load, radial: 5.0 kgf
axial: 5.0 kgf
- Rotational Angle: 360° continuous
- Click Torque: 30~70 gf•cm
- Rotational Life: 1,000,000 cycles

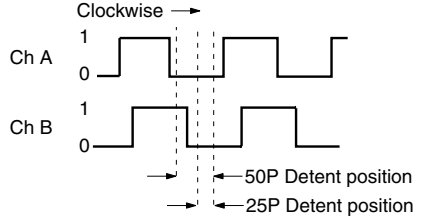
ENVIRONMENTAL

- Operating Temp: 0° to +70° C
- Storage Temp: -20° to +80° C
- Humidity: ≤85% RH, no condensation
- Vibration: 10~55 Hz, 1.5 mm, 2 hrs
- Shock: 50G, 6ms, 3 axes, 3 reps

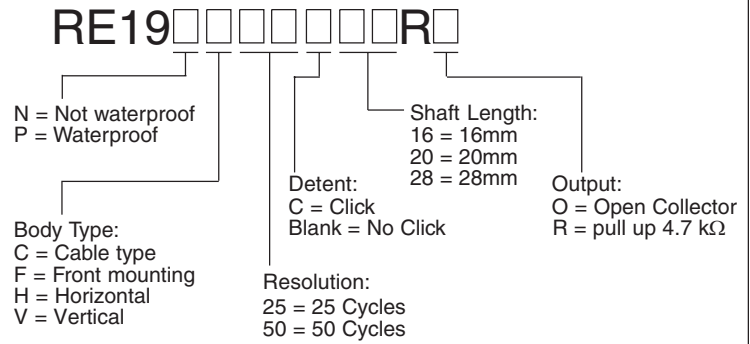
OUTPUT CIRCUIT



OUTPUT WAVEFORM



ORDERING INSTRUCTIONS



<p>CUI, Inc. 20050 SW 112th Ave Tualatin, OR 97062 Tel: 503/612-2300 FAX: 503/612-2383</p>			
PART NO.			REV.
<p>RE19XXXXXXRX</p>			