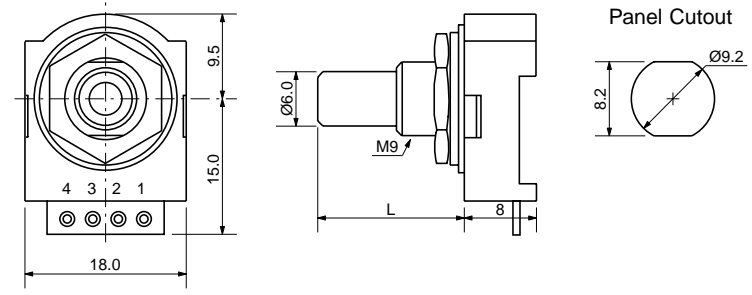
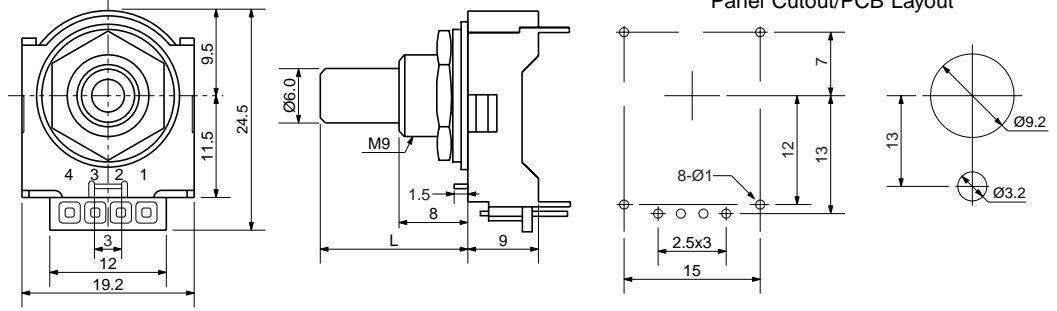


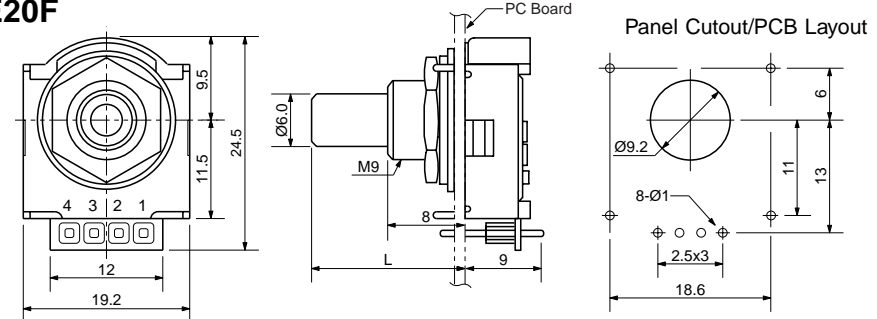
### RE20S



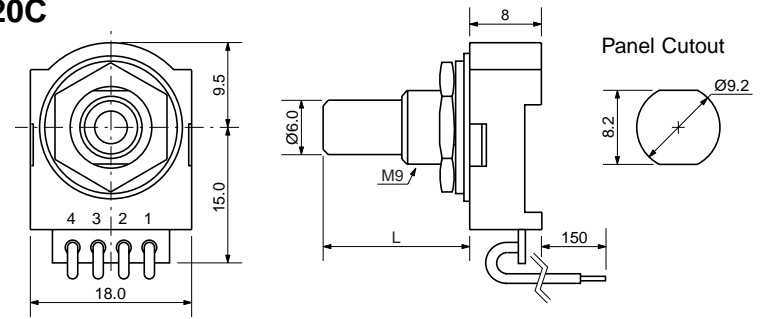
### RE20V



### RE20F



### RE20C



#### SPECIFICATIONS

##### ELECTRICAL

- Input Power: 5.0 VDC ±5% @ 7mA
- Output Voltage:  $H = V_{cc} - 0.4V$   
 $L \leq 0.4V$
- Resolution: 20, 25 PPR
- Output Type: TTL Compatible
- Max. Freq. Response: 500 Hz

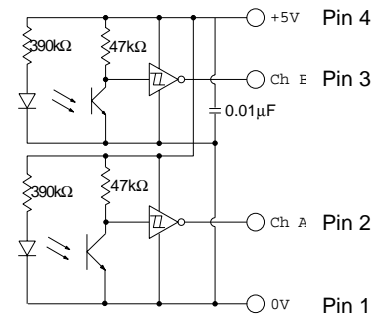
##### MECHANICAL

- Max Shaft Load, radial: 1.0 kgf  
axial: 1.0 kgf
- Rotational Angle: 360° continuous
- Click Torque: 100 gf•cm max.
- Rotational Life:  $2.5 \times 10^6$  cycles

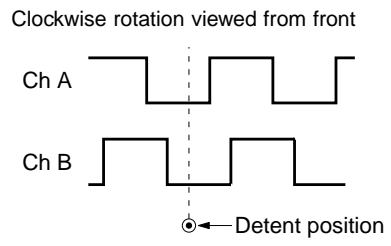
##### ENVIRONMENTAL

- Operating Temp: 0° to +60° C
- Storage Temp: -20° to +80° C
- Humidity: ≤85% RH, no condensation
- Vibration: 10~55 Hz, 1.5 mm, 2 hrs
- Shock: 50G, 6ms, 3 axes, 3 reps

#### OUTPUT CIRCUIT




#### OUTPUT WAVEFORM



#### ORDERING INSTRUCTIONS

### RE20X X XX X XX

- N: Non-Drip Proof
- P: Drip Proof
- S: Solder Hole
- C: Lead wire
- V: Vertical Mount
- F: Front Mount
- C: Detent
- " ": No Detent
- 16: 16mm shaft
- 20: 20mm shaft
- 20: 20 PPR
- 25: 25 PPR

 <b>CUI Stack, Inc.</b> 9615 SW Allen Blvd. #103 Beaverton, OR 97005 Tel: 503/643-4899 FAX: 503/643-6129			
PART NO. <b>RE20XXXXXXX</b>			REV. <b>A</b>