

PCB LAYOUT
TOP VIEW

SPECIFICATIONS:
 RATING: 24V DC @ 1A; 100V AC @ 2A
 CONTACT RESISTANCE: 30m OHMS MAX
 INSULATION RESISTANCE: 100M OHMS MIN; 500V DC
 VOLTAGE WITHSTAND: 500V AC R.M.S. FOR 1 MINUTE
 LIFE: 5,000 CYCLES
 OPERATING TEMP: -40° ~ +70°C(recent)

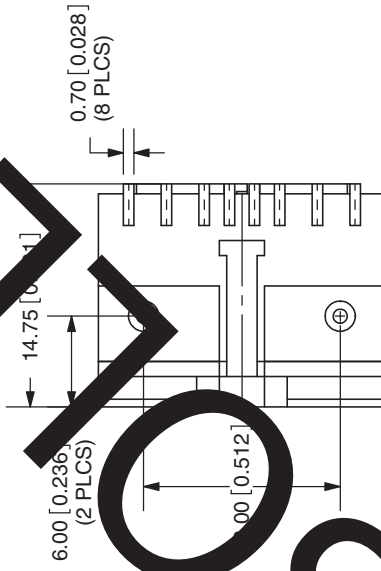
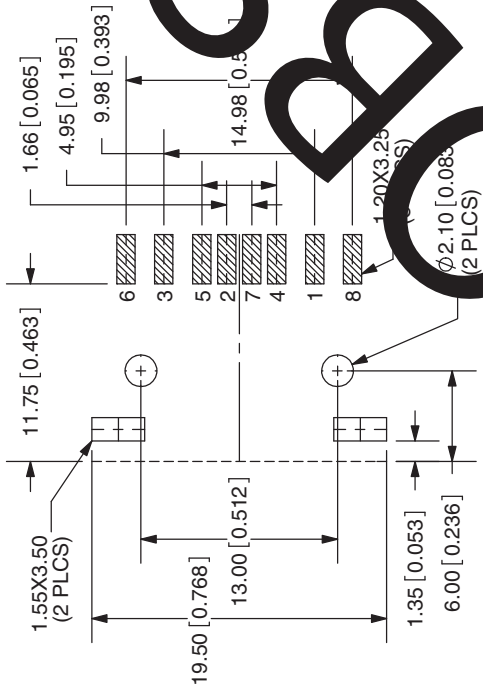
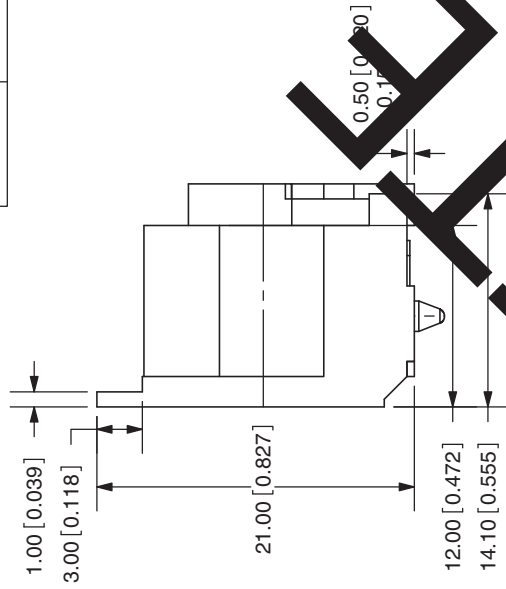
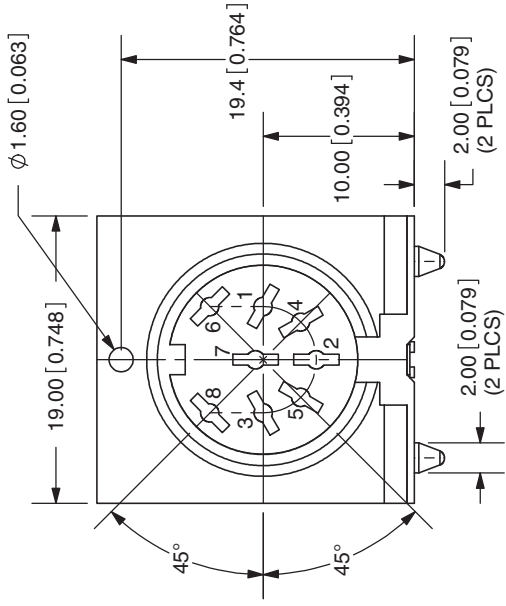
	MATERIAL	PLATING
TERMINALS (1-4)	Brass	Tin
EARTH TERMINAL	Phosphor Bronze	Tin
HOUSING	PBT	

TOLERANCE:
 X.X ±0.2mm
 X.XX ±0.1mm
 X.XXX ±0.05mm



20050 SW 112th Ave.
 Tualatin, OR 97062
 Phone: 503-612-2300
 800-275-4899
 Fax: 503-612-2383
 Website: www.cui.com

TITLE: CIRCULAR DIN RECEPTACLE, SMT, 4 PIN		REV: A
PART NO. SDS-40J-SMT	UNITS: MM [INCHES]	
DRAWN BY: ZRJ	APPROVED BY:	SCALE: 2:1



SPECIFICATIONS:
 RATING: 24V DC @ 1A; 100V AC @ 2A
 CONTACT RESISTANCE: 30m OHMS MAX
 INSULATION RESISTANCE: 100M OHMS MIN: 500V DC
 VOLTAGE WITHSTAND: 500V AC R.M.S. FOR 1 MINUTE
 LIFE: 5,000 CYCLES
 OPERATING TEMP: -40° ~ +70°C (recent)

PCB LAYOUT
TOP VIEW

TITLE: CIRCULAR
 PART NO: SDS-80J-S
 DRAWN BY: ZRJ

TERMINALS (1-8)	MATERIAL	PLATING
EARTH TERMINAL	Brass	Tin
HOUSING	Phosphor Bronze	Tin
	PBT	

COPYRIGHT 2007 BY CUJ INC.

For more information, please visit the [product page](#).

TOLERANCE
 X.X ±0.2mm
 X.XX ±0.1mm
 X.XXX ±0.05mm

