



PART NUMBER: SES10

DESCRIPTION: sine wave

ELECTRICAL SPECIFICATIONS

output waveform	Sine Wave
output signals	A phase, A,B phase
current consumption	≤30 mA (LED: maximum 20mA)
frequency response	0~20 KHz
output phase difference	A, B phase difference 90° ± 45°
supply voltage	5 V dc ± 10%
output resolution (ppr)	100, 200

MECHANICAL SPECIFICATIONS

max shaft load, radial:	1.9N (200gf)
axial:	1.9N (200gf)
starting torque	0.3 x 10 ⁻³ N·m (3 gf·cm)
max rotational speed	6000 RPM
shock resistance	500m/s ² (about 50G) 3 times each on XYZ
vibration proof	55 Hz, double amplitude 1.5mm, 2 hours each on XYZ
weight	10g (with 130mm cable)
cable	Vinyl wire (AWG 30) 130mm

ENVIRONMENTAL SPECIFICATIONS

operating temp	0° to +50° C
storage temp	-20° to +80° C
humidity	90% max. non collecting

ORDERING INSTRUCTIONS

SES10 - XXXXX

Resolution (PPR):

100 = 100 PPR

200 = 200 PPR

Output Phase:

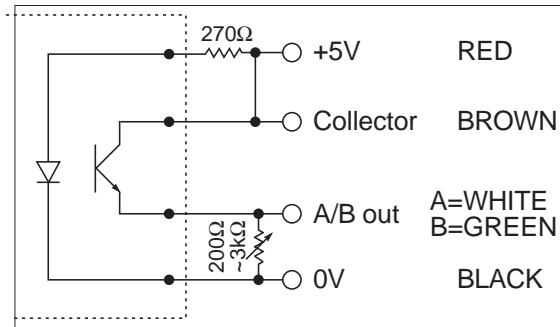
A = Single Phase

AB = Two-Phase

PART NUMBER: SES10

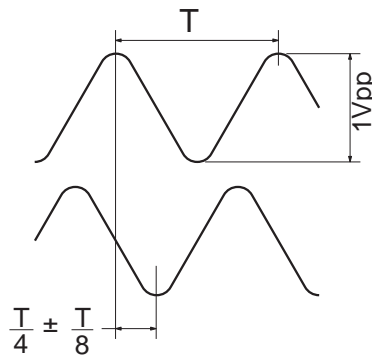
DESCRIPTION: sine wave

CIRCUIT CONNECTIONS

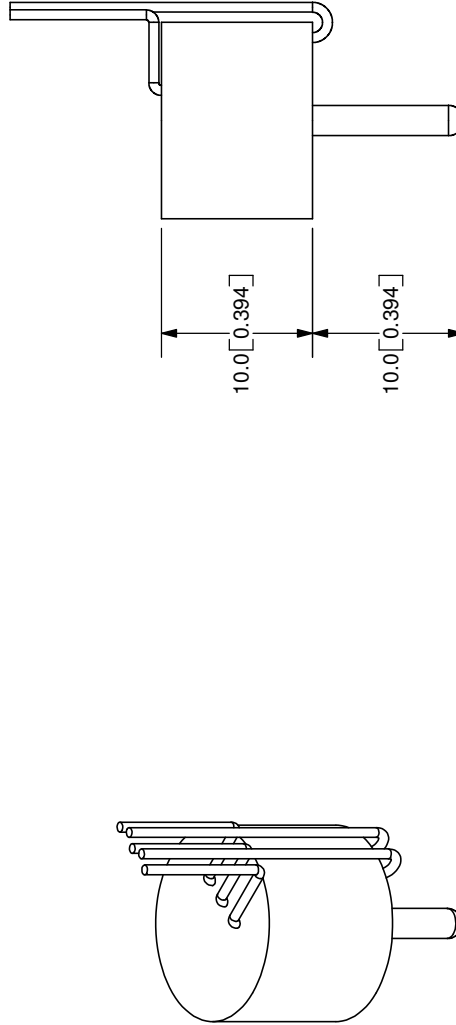
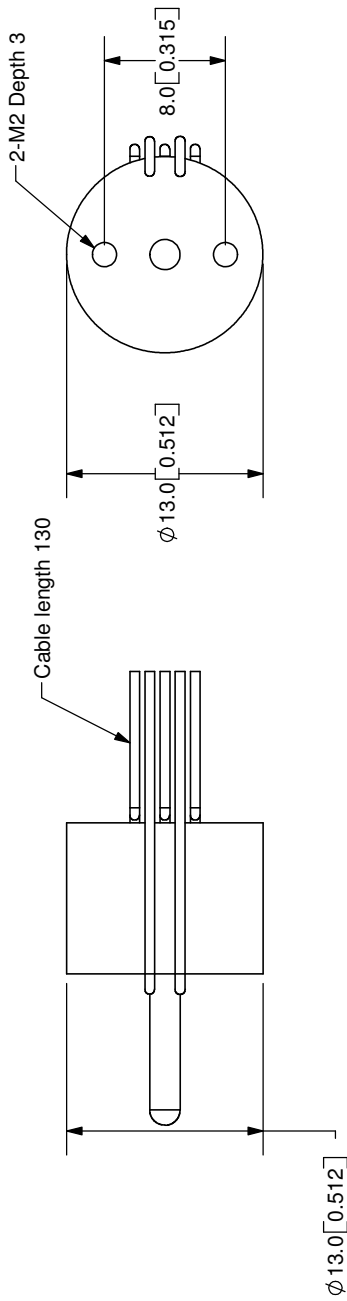


OUTPUT WAVEFORM

Clockwise rotation viewed from front



REV.	DESCRIPTION	DATE
A	NEW DRAWING	7/27/2007



TOLERANCE:
±0.3mm UNLESS OTHERWISE
SPECIFIED



CUI INC

20050 SW 112th Ave.
Tualatin, OR 97062
Phone: 503-612-2300
800-275-4899
Fax: 503-612-2383
Website: www.cui.com

TITLE: Incremental Encoder
REV: A

PART NO: SES 10
UNITS: MM [INCHES]

DRAWN BY: JMS
APPROVED BY:
SCALE: 2:1

Cable Color	Red	Brown	White	Green	Black	-	-	-
Output Type	Anode	Collector	Emitter A	Emitter B	Cathode	-	-	-

COPYRIGHT 2007
BY CUI INC.

PC FILE NAME:
SES 10