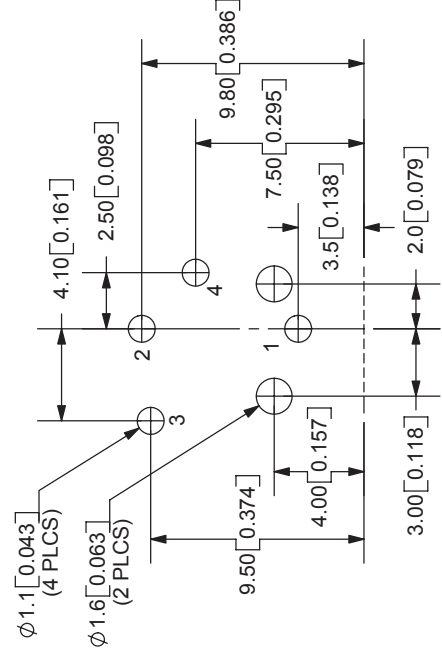
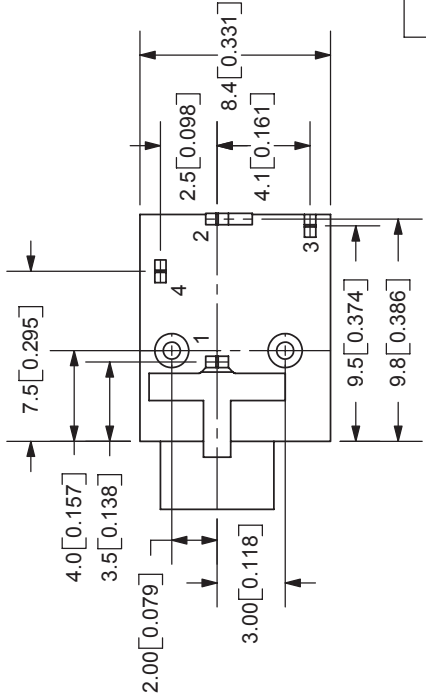
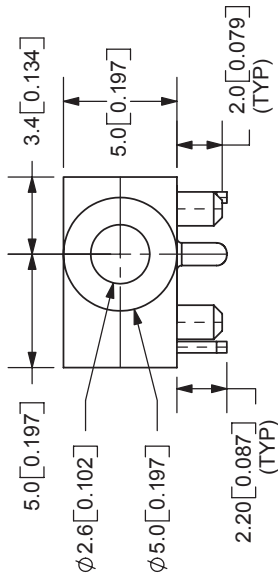
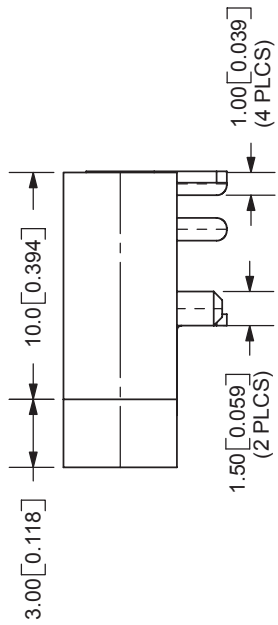
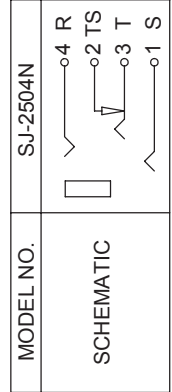


REV.	DESCRIPTION	DATE
A	NEW DRAWING	12/5/2005

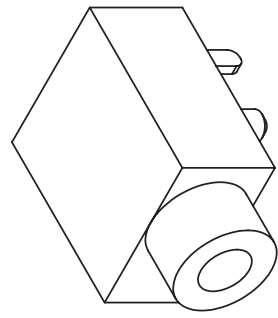


PCB LAYOUT  
TOP VIEW



**SPECIFICATIONS:**  
 RATING: 12V DC @ 1A  
 CONTACT RESISTANCE: 30m OHMS MAX  
 INSULATION RESISTANCE: 100M OHMS MIN: 500V DC  
 VOLTAGE WITHSTAND: 500V AC R.M.S. FOR 1 MINUTE  
 LIFE: 5,000 CYCLES  
 OPERATING TEMP: -20° ~ +60°C

TERMINAL	MATERIAL	PLATING
TERMINAL 1	PBS	Tin
TERMINAL 2	Brass	Tin
TERMINAL 3	PBS	Tin
TERMINAL 4	PBS	Tin
HOUSING	PBT	



TOLERANCE:  
 X. ±0.5mm  
 X.X ±0.3mm  
 X.XX ±0.15mm



20050 SW 112th Ave.  
 Tualatin, OR 97062  
 Phone: 503-643-4899  
 800-275-4899  
 Fax: 503-372-1266  
 Website: www.cui.com

TITLE:	2.5mm AUDIO JACK-STEREO	REV:	A
PART NO:	SJ-2504N	UNITS:	MM [INCHES]
DRAWN BY:	ZRJ	APPROVED BY:	
		SCALE:	3:1