

MODEL: UJ2-MIBV-4-SMT-TR-67 | **DESCRIPTION:** USB RECEPTACLE

FEATURES

- IP67 waterproof
- USB micro B type receptacle
- surface mount
- vertical orientation



SPECIFICATIONS

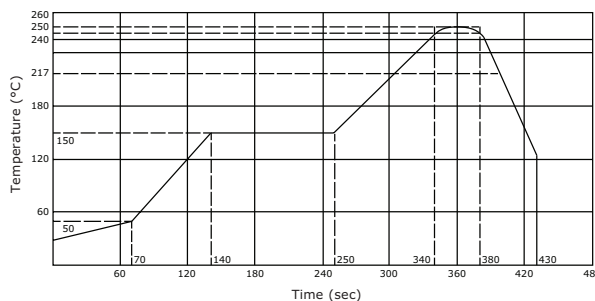
| parameter | conditions/description | min | typ | max | units |
|---------------------------------|---|-----|--------|------------|--------|
| rated input voltage | | | | 30 | Vac |
| rated input current | pins 1, 5 pins 2, 3, 4 | | | 1.8 0.5 | A A |
| contact resistance ¹ | between terminals and mating plug | | | 30 | mΩ |
| insulation resistance | at 250 Vdc for 1 minute between adjacent contacts | 100 | | | MΩ |
| voltage withstand | for 1 minute between adjacent contacts | | | 250 | Vac |
| insertion force | | | | 35 | N |
| withdrawal force | | 8 | | | N |
| life | at a rate of 500 max cycles per hour | | 10,000 | | cycles |
| operating temperature | | -25 | | 85 | °C |
| flammability rating | UL94V-0 | | | | |
| RoHS | yes | | | | |
| IP level | IP67 | | | | |

Note: 1. When measured at a current of less than 100 mA/1 kHz.
2. All specifications measured at 10~35°C, humidity at 45~85%, under standard atmospheric pressure, unless otherwise noted.

SOLDERABILITY

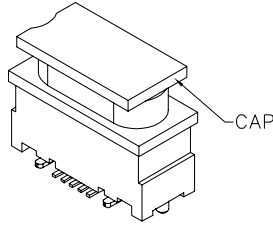
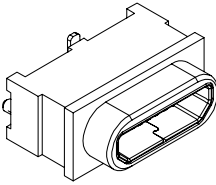
| parameter | conditions/description | min | typ | max | units |
|--------------------------------|--|-----|-----|-----|-------|
| reel storage | at relative humidity <80% | | | 40 | °C |
| reflow soldering ³ | see reflow profile | 245 | 250 | 255 | °C |
| drying conditions ⁴ | parts in reel: bake at 40°C ±5°C for 72 hours parts removed from reel: bake at 40°C ±5°C for 10 hours | | | | |

Note: 3. It is recommended to reflow solder within 72 hours from opening vacuum packaging at a temperature <30°C & relative humidity <60%.
4. When exceeding floor life by >72 hours.

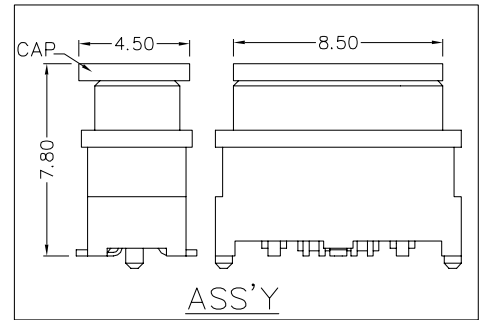
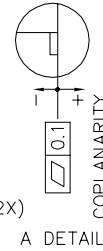
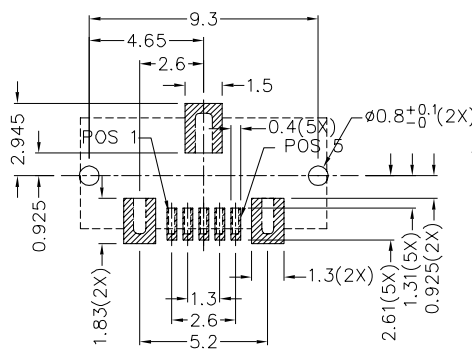
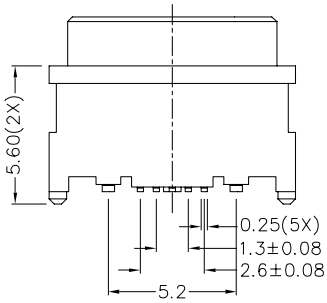
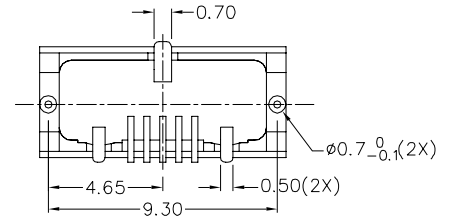
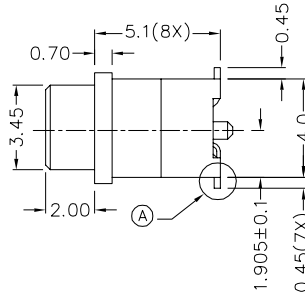
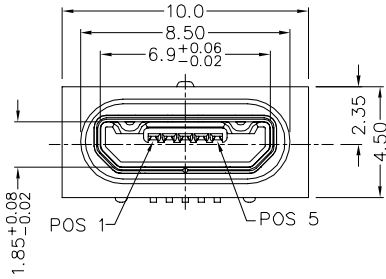


MECHANICAL DRAWING

units: mm
 tolerance:
 X.X ±0.20 mm
 X.XX ±0.1 mm
 X.XXX ±0.05 mm
 PCB: ±0.05 mm

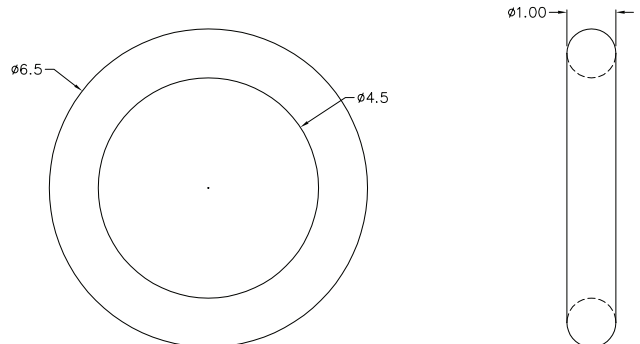


| | MATERIAL | PLATING |
|-------------------|-----------------|------------|
| contact terminals | copper alloy | gold falsh |
| shell | stainless steel | nickel |
| insulator | PA10T | black |
| housing | PA10T | black |
| cap | PA10T | black |
| o-ring | silicone | black |

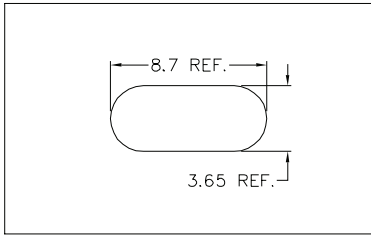


Recommended PCB Layout
 Top View

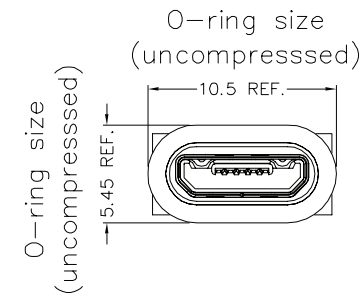
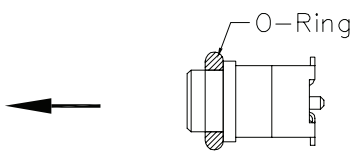
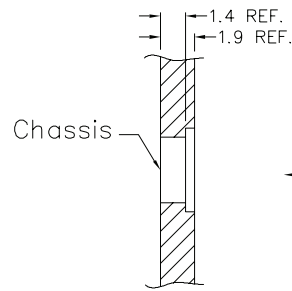
O-ring



ASSEMBLY REFERENCE

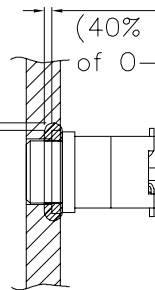


Top View



Interference gap between chassis and O-ring is 0.4 min
(40% or above of compression of O-ring's diameter)

Interference gap between chassis and O-ring is 0.4 min
(40% or above of compression of O-ring's diameter)



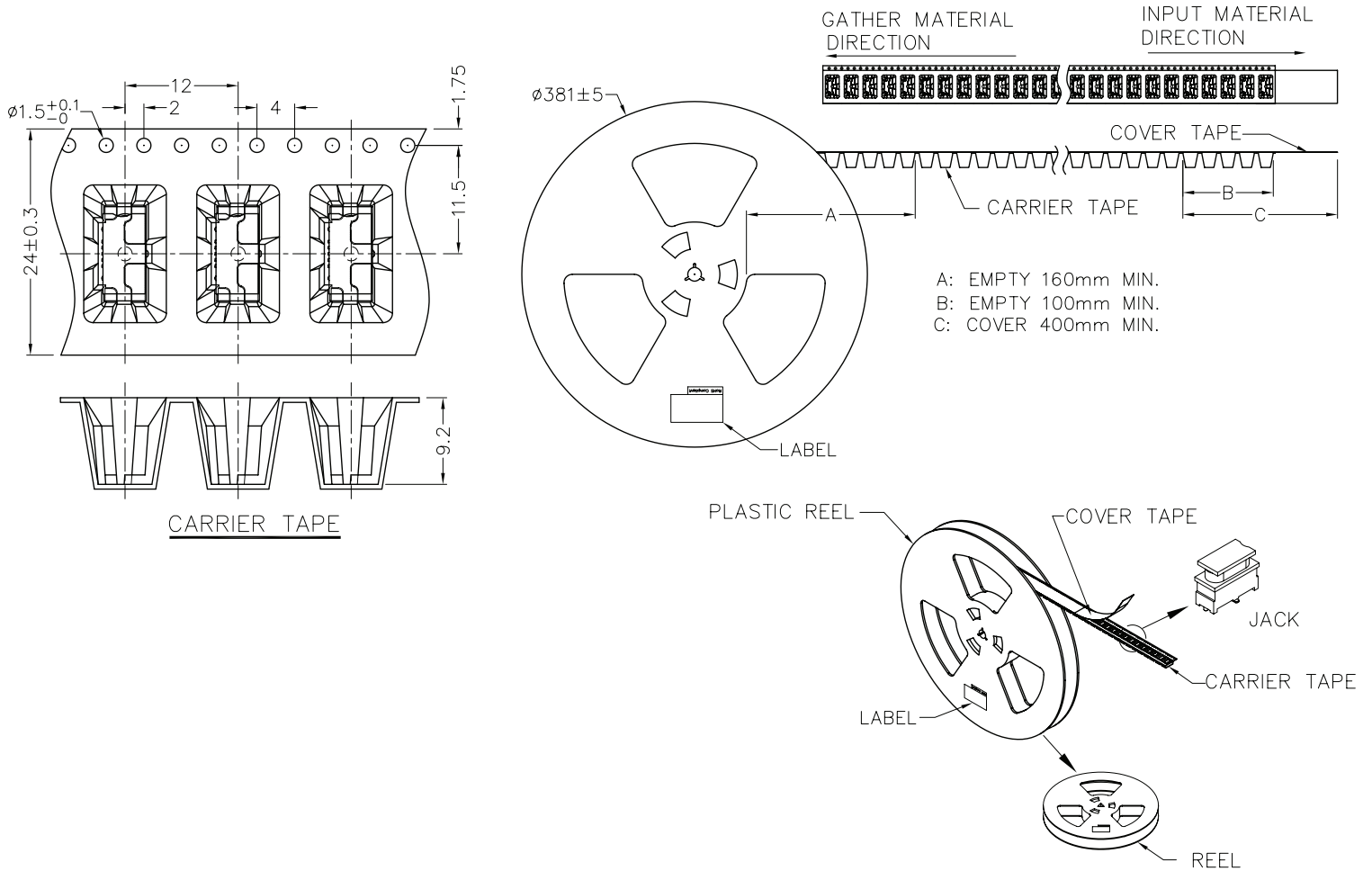
After assembling on chassis

PACKAGING

units: mm

Reel Size: $\varnothing 381$ mm

Reel QTY: 800 pcs per reel



REVISION HISTORY

| rev. | description | date |
|------|-----------------|------------|
| 1.0 | initial release | 12/05/2018 |

The revision history provided is for informational purposes only and is believed to be accurate.



Headquarters
20050 SW 112th Ave.
Tualatin, OR 97062
800.275.4899

Fax 503.612.2383
cui.com
techsupport@cui.com

CUI offers a one (1) year limited warranty. Complete warranty information is listed on our website.

CUI reserves the right to make changes to the product at any time without notice. Information provided by CUI is believed to be accurate and reliable. However, no responsibility is assumed by CUI for its use, nor for any infringements of patents or other rights of third parties which may result from its use.

CUI products are not authorized or warranted for use as critical components in equipment that requires an extremely high level of reliability. A critical component is any component of a life support device or system whose failure to perform can be reasonably expected to cause the failure of the life support device or system, or to affect its safety or effectiveness.